



HIGH QUALITY EXTRACTION ARM

Durable extraction arms designed to provide best performance during extraction of

DURABLE FLEXIBLE HOSE

High quality flexible hoses are designed to serve in harsh working environments

STATE OF THE ART EXTRACTION HOOD

Special designed extraction hood provide superior performance.

DURABLE HYDRAULIC SUPPORT STRUCTURE

The hydraulic piston external joint is designed for long-term use without hindering easy operation.

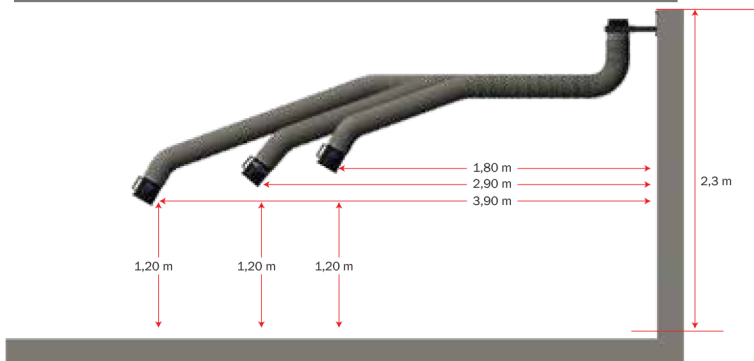
GENERAL INFORMATION	
Type	Wall Type
Support Type	External Support
Max. Operating Temperature	80 °C
Application	Fume, Dust and Oil Mist
Hood Material	Plastic
Hose Material	PVC

TECHNICAL INFORMATION	
Hose Length	2m - 3m - 4 m
Hose Diameter	Ø160 mm
Rec. Air Flow	1.200 - 2.100 m ³ /h

ORDER NO	
2 m External Support Arm	PLUS-2
3 m External Support Arm	PLUS-3
4 m External Support Arm	PLUS-4

SPARE PART ORDER NO	
2 m Flexible Hose	MF-2H-S
3 m Flexible Hose	MF-3H-S
4 m Flexible Hose	MF-4H-S
Hood	MF-D-P

max. OPERATING DISTANCE



PRESSURE DROP

