

RCD Downblast Roof Fan

CB TÜVRheinland®



CKS Fan Global Industry Roof Blowers are designed to provide efficient and reliable operation for commercial and extractive industry. Our products are manufactured with state of the art laser, forming, spinning and welding equipment and ensure our quality control testing to ensure trouble free start-up. Our Roof Blowers are including industry leading design features to ensure your ventilation equipment has the latest technologies available.

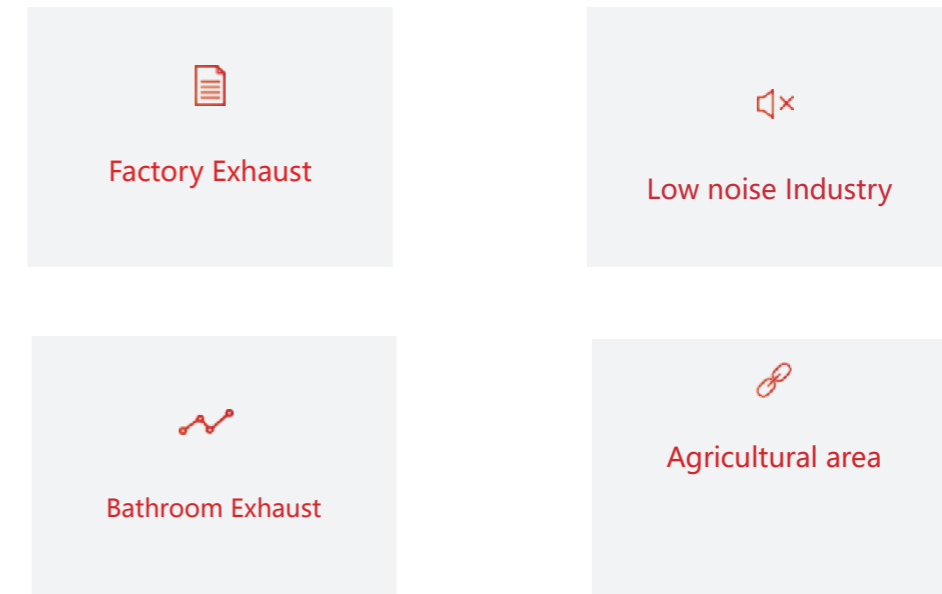


Main Features With RCD Series

- Full mold, full welded structure, galvanized sheet or stainless steel housing
- Technology axial impeller with higher efficiency and lower noise
- Compact design, easy to install
- It is designed for direct connection in line with standard diameter circular ducting
- Chinese Energy Saving label
- ISO9001:2000 controllable standard

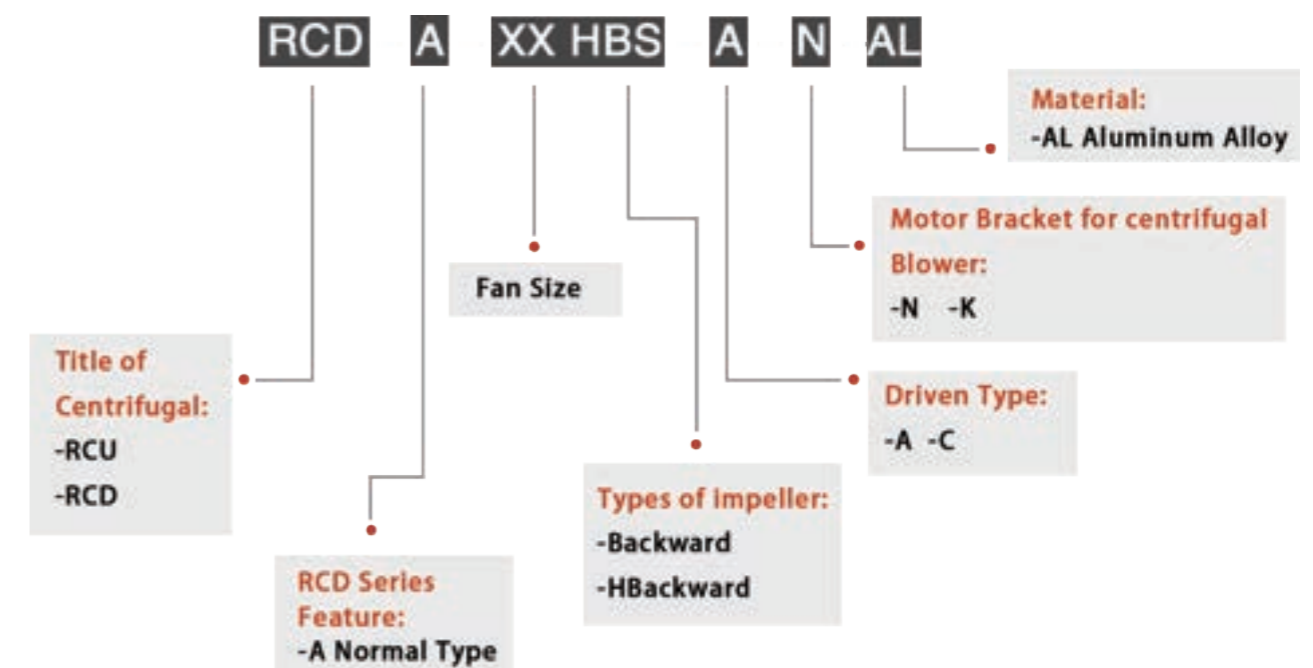
Typical application includes:

Every RCD Has Been Test For Three Different Planes Before Package.



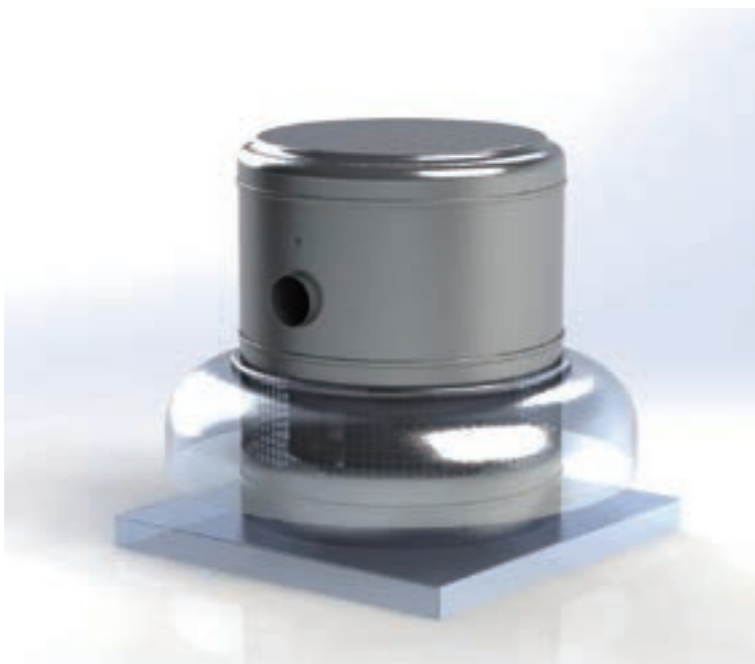
Engineers In Guangzhou AoZhong Fan Equipment Co.,LTD Can Assist You In Improving The Operational Efficiency Of The Air Movement In Your System.

Mixed Fan Model Number Code

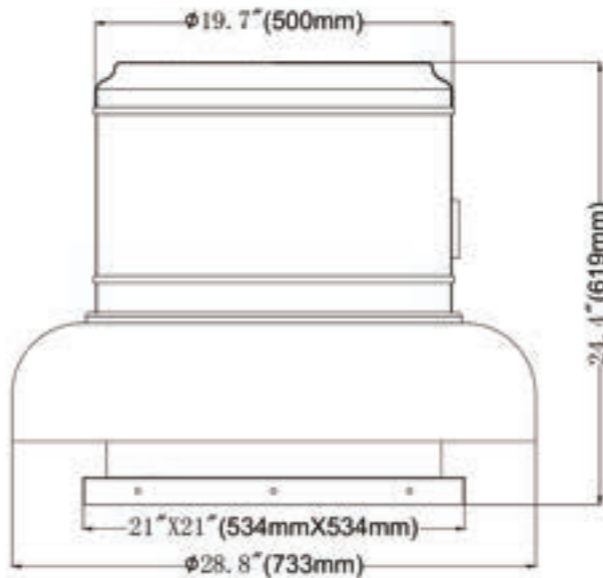


RCD Structure

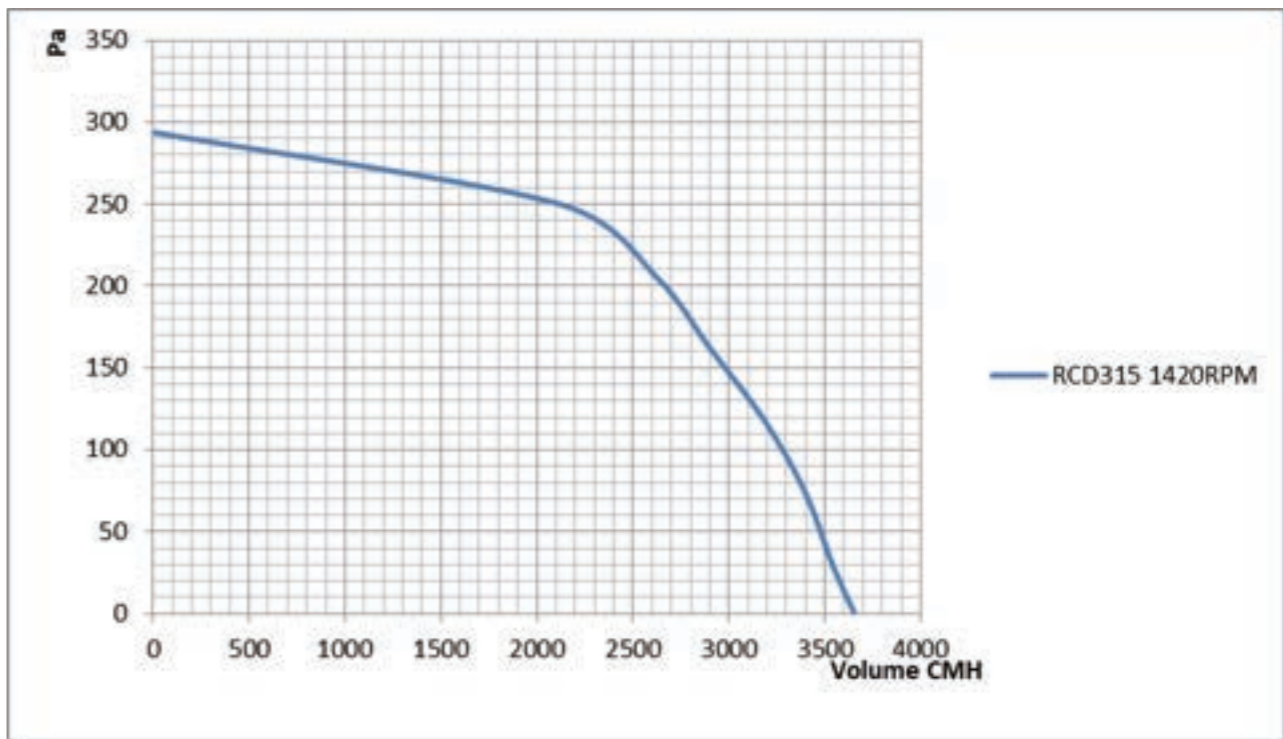
Rcd Series: The Product Is Made In High-quality Steel, Which Is Cutting, By Laser To Ensure High-precision Mold Line. The Base Is Aluminum Alloy For One-time Stretch. Driven Cavity Cover Adopt Stainless Steel Material, Which Can Open With Hands, And Convenient To Daily Cleaning Maintenance. Different Ways Of Motor With Different Transmission Need To Select Different Motor Bracket. The Impeller Adopts Laser Cutting Technology And Die Stretch Forming. A Different Work Environment Needs To Adopt Different Impeller Material. Carbon Steel, Stainless Steel And Aluminum Alloy Impeller Are Optional. The Surface Of The Impeller Adopts Industrial Spraying. Impeller Balance Test Grades Are In Strict Accordance With The G4.0 Iso1940, And Meet Its Requirements. In This Series, Roof Blower Use Aluminum Alloy Wheel.



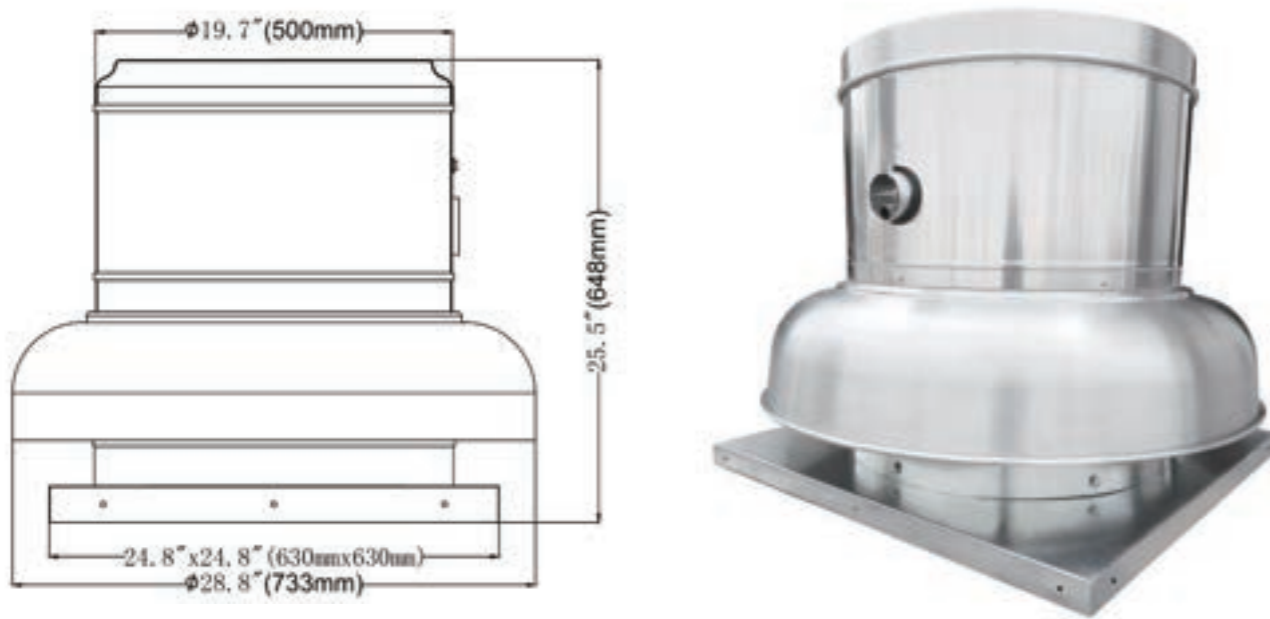
RCD315 Technical Data



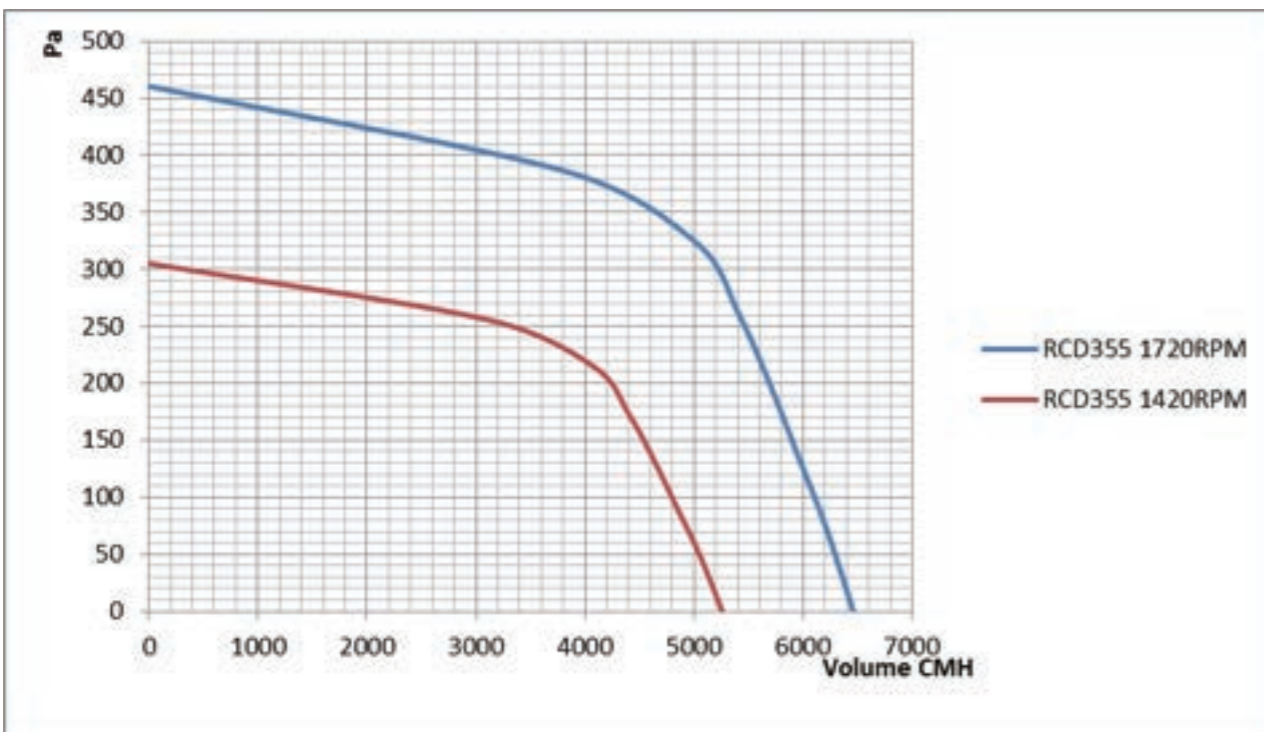
Model	Power	AC Motor 1 ϕ	Fan Speed	Impeller Dia
RCD315	250W	220V-240V/50Hz	1420RPM (Direct Drive)	12.5inch



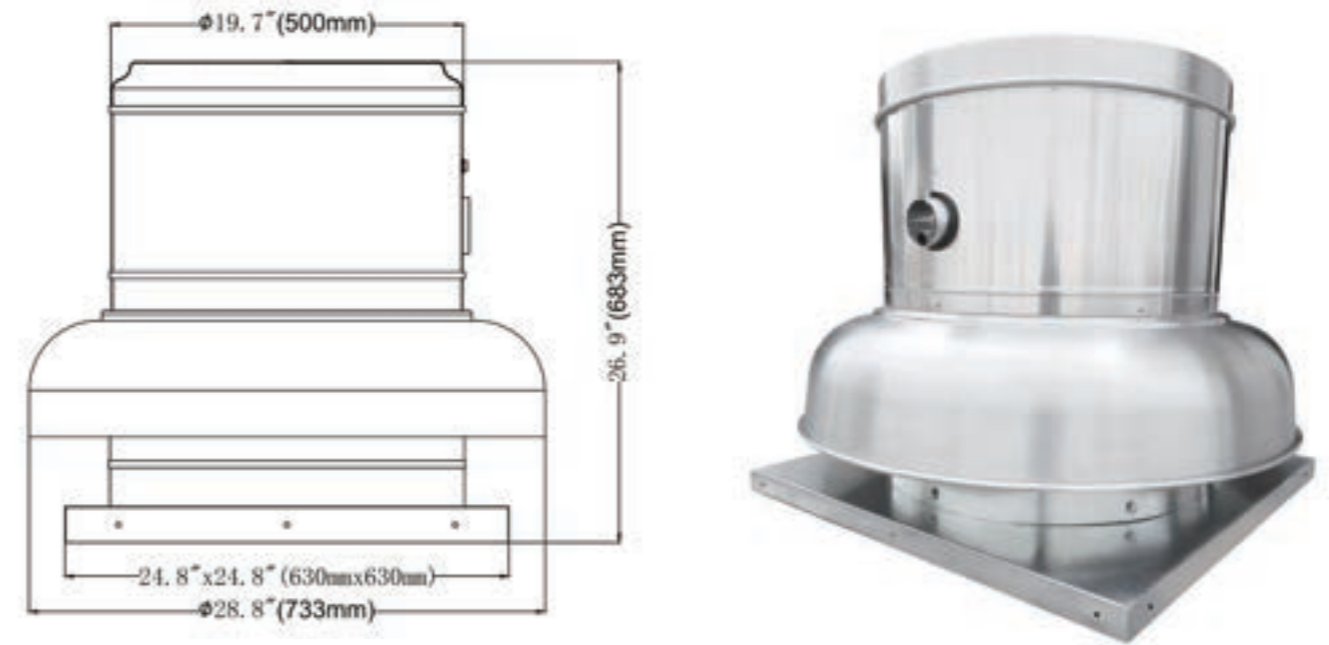
RCD355 Technical Data



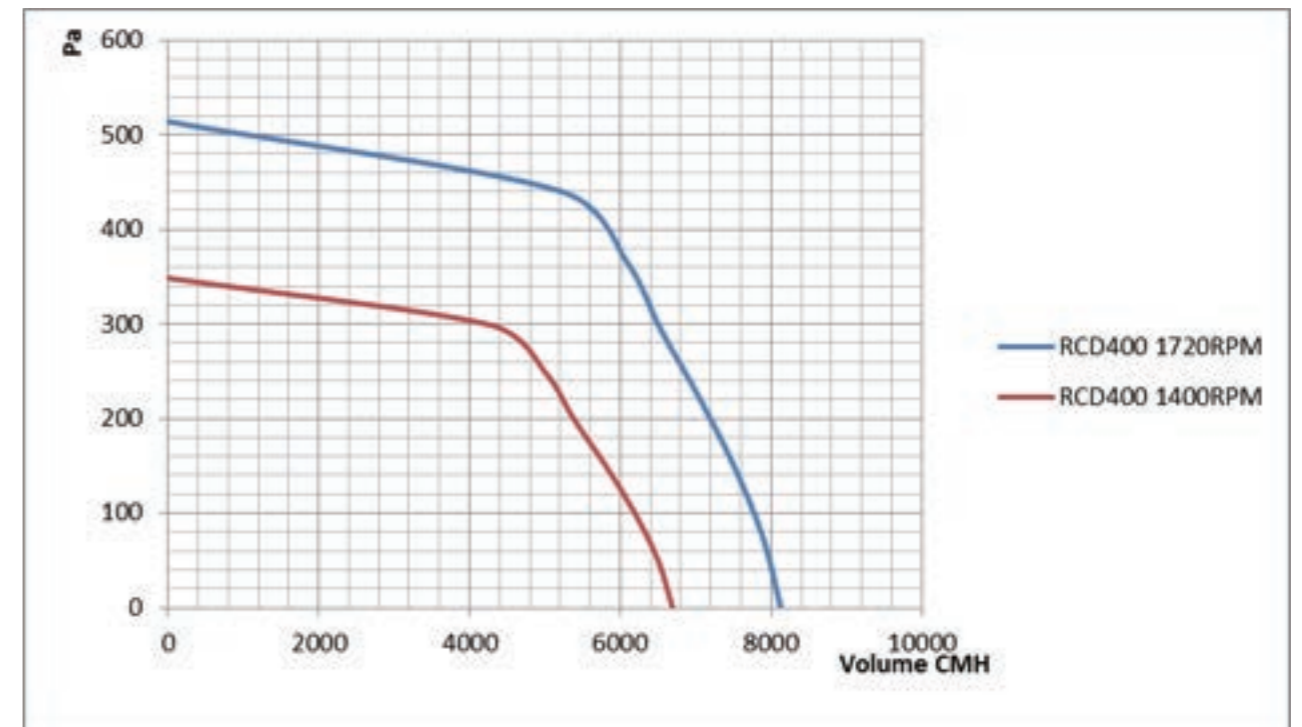
Model	Power	AC Motor 1 ϕ	AC Motor 3 ϕ	Fan Speed	Impeller Dia
RCD355	550W	220V/-240V/50Hz	380V or 415V/50Hz	1400RPM (Direct Drive)	14inch
	750w	220V/-240V/50Hz	380V or 415V/50Hz	1720RPM (Belt Drive)	



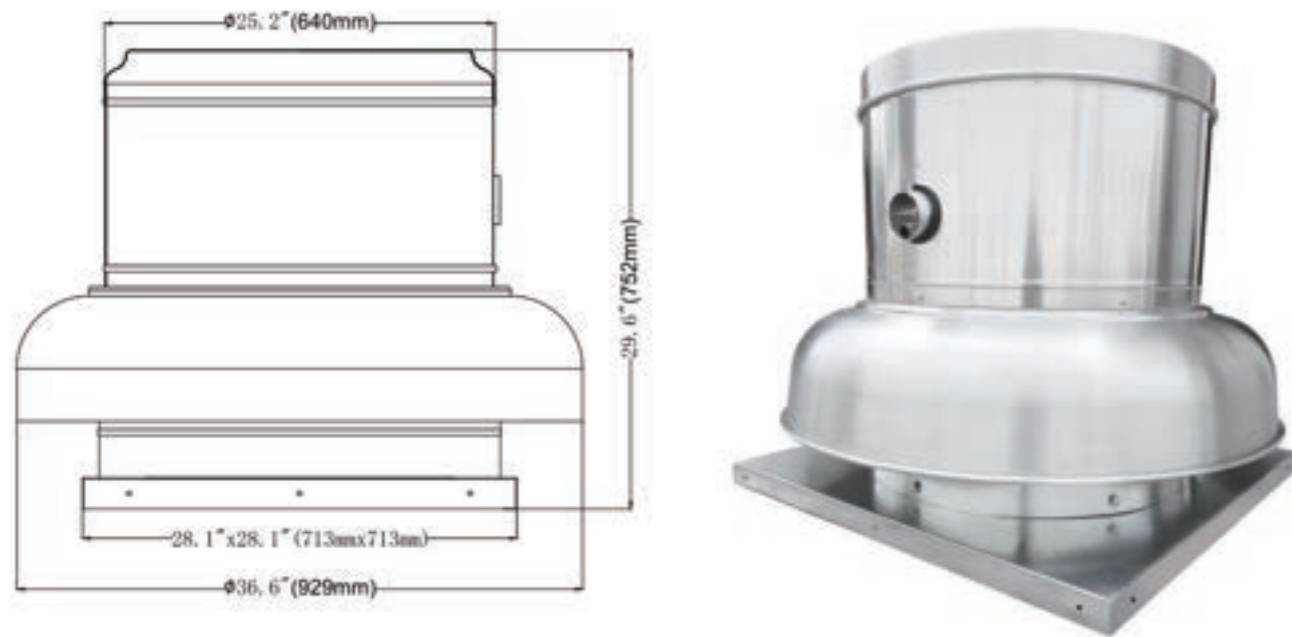
RCD400 Technical Data



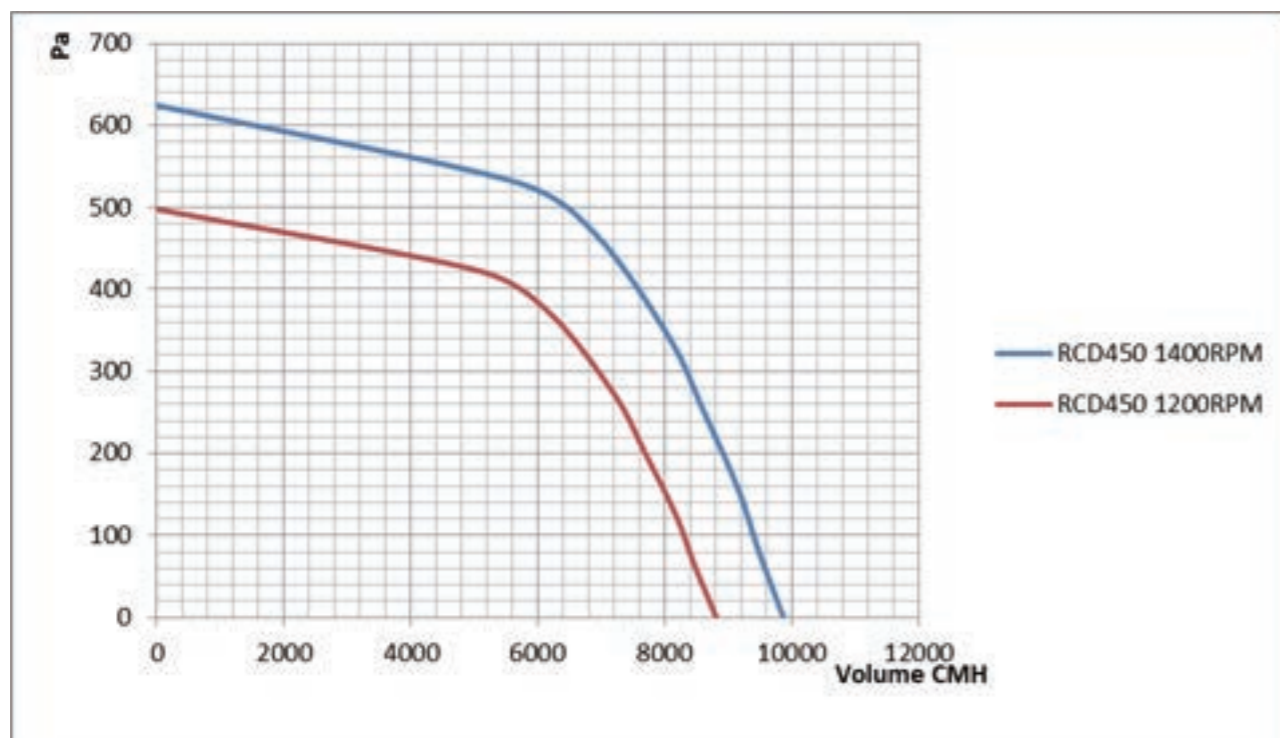
Model	Power	AC Motor 1 ϕ	AC Motor 3 ϕ	Fan Speed	Impeller Dia
RCD400	750W	220V/-240V/50Hz	380V or 415V/50Hz	1400RPM (Direct Drive)	16inch
	1.1Kw	220V/-240V/50Hz	380V or 415V/50Hz	1720RPM (Belt Drive)	



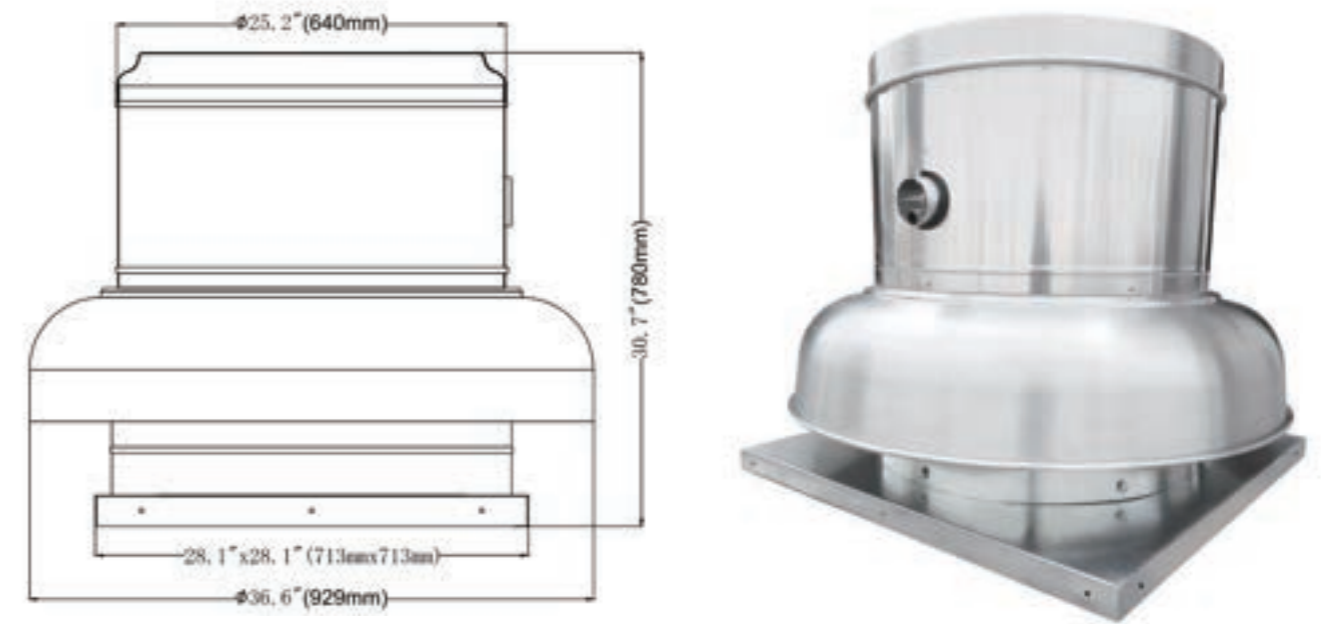
RCD450 Technical Data



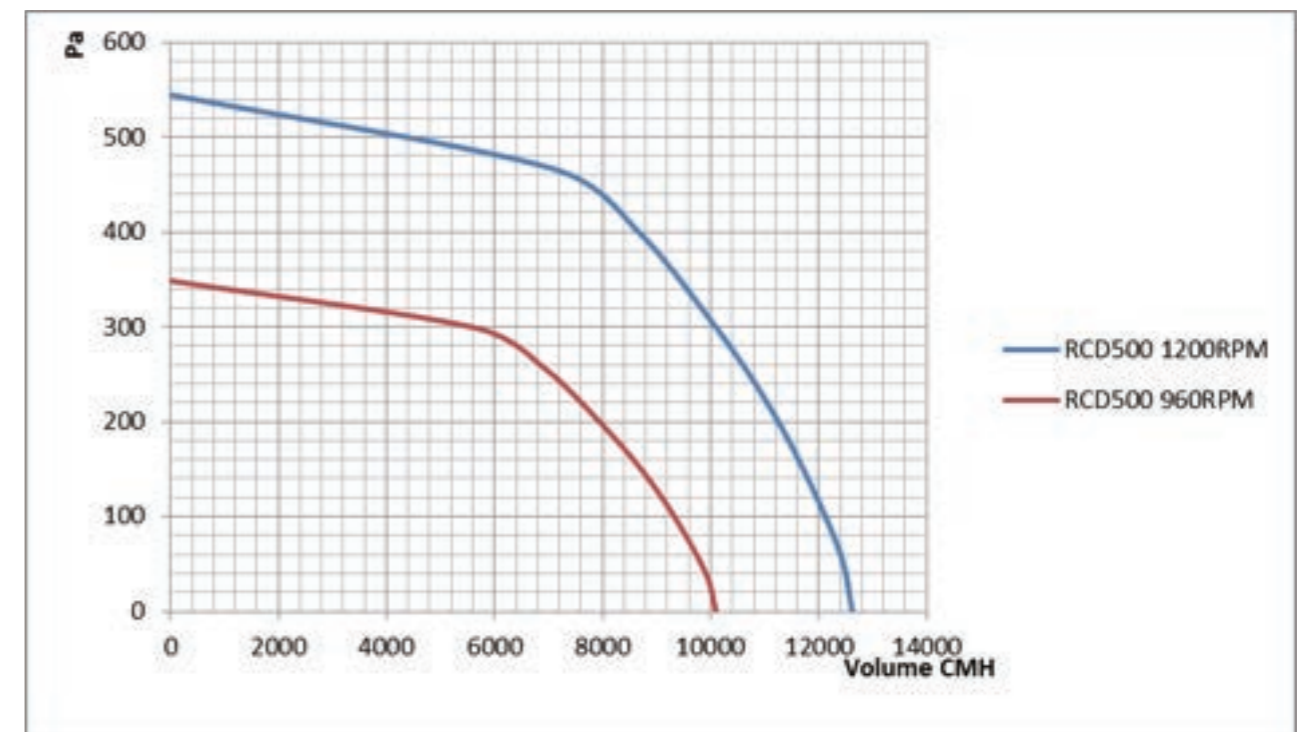
Model	Power	AC Motor 1 ϕ	AC Motor 3 ϕ	Fan Speed	Impeller Dia
RCD450	0.75KW	220V/-240V/50Hz	380V or 415V/50Hz	1200RPM (Belt Drive)	18inch
	1.1Kw	220V/-240V/50Hz	380V or 415V/50Hz	1400RPM (Direct Drive)	



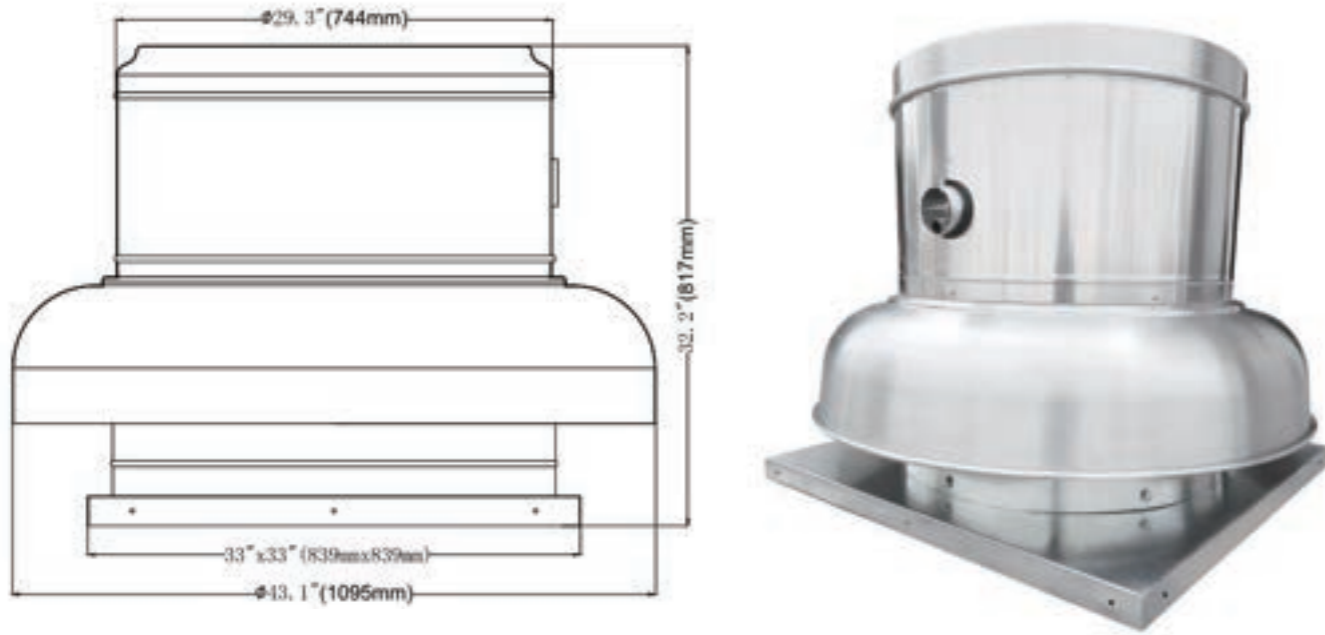
RCD500 Technical Data



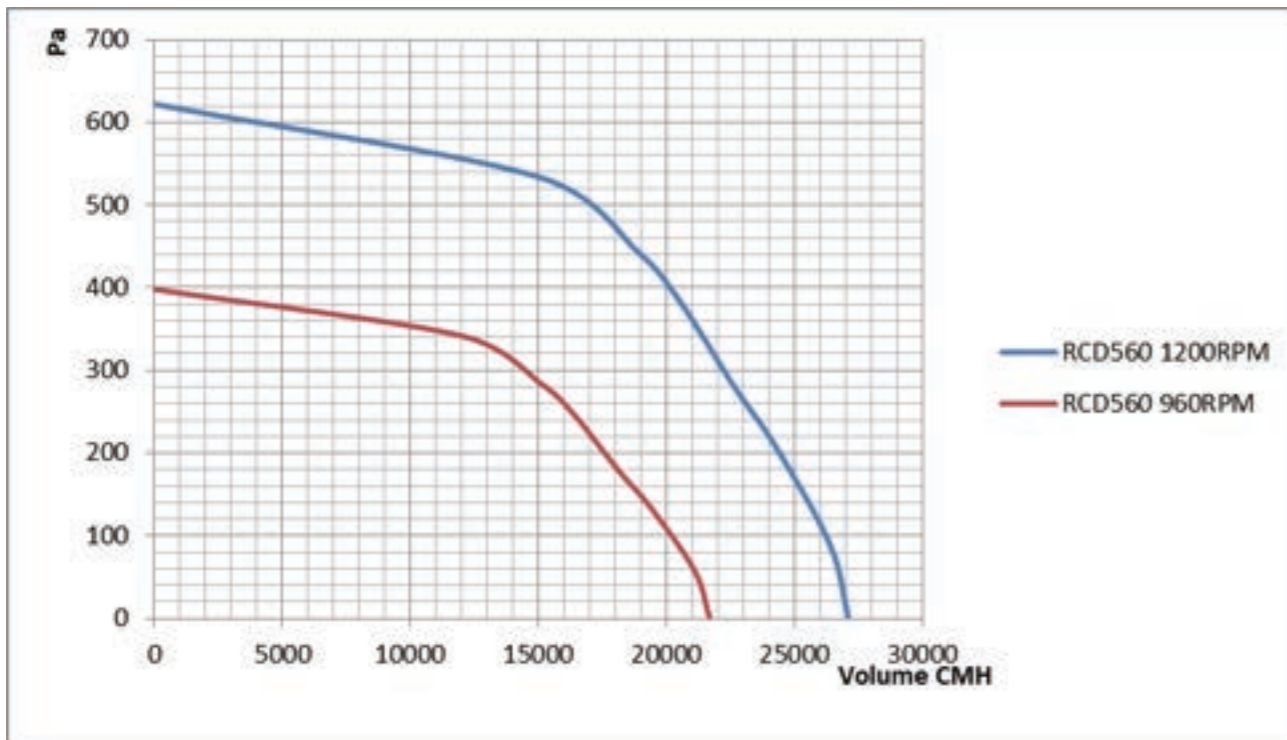
Model	Power	AC Motor 1 ϕ	AC Motor 3 ϕ	Fan Speed	Impeller Dia
RCD500	1.1KW	220V/-240V/50Hz	380V or 415V/50Hz	960RPM (Belt Drive)	20inch
	1.5Kw	220V/-240V/50Hz	380V or 415V/50Hz	1200RPM (Direct Drive)	



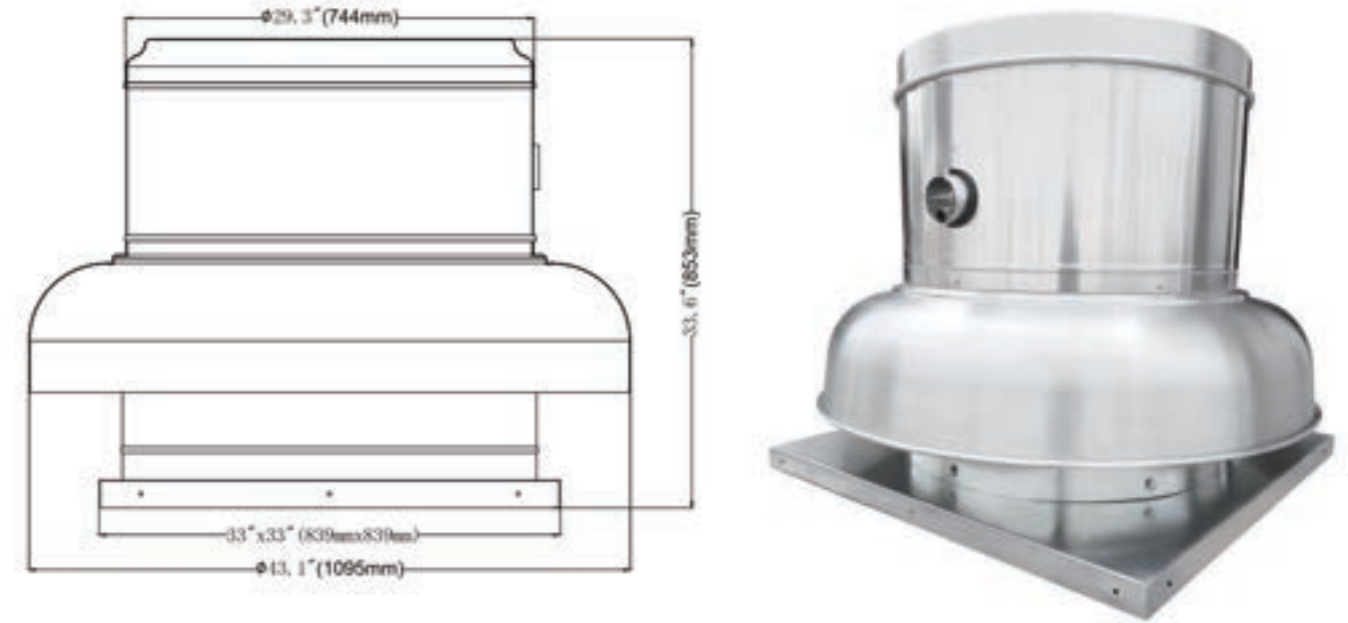
RCD560 Technical Data



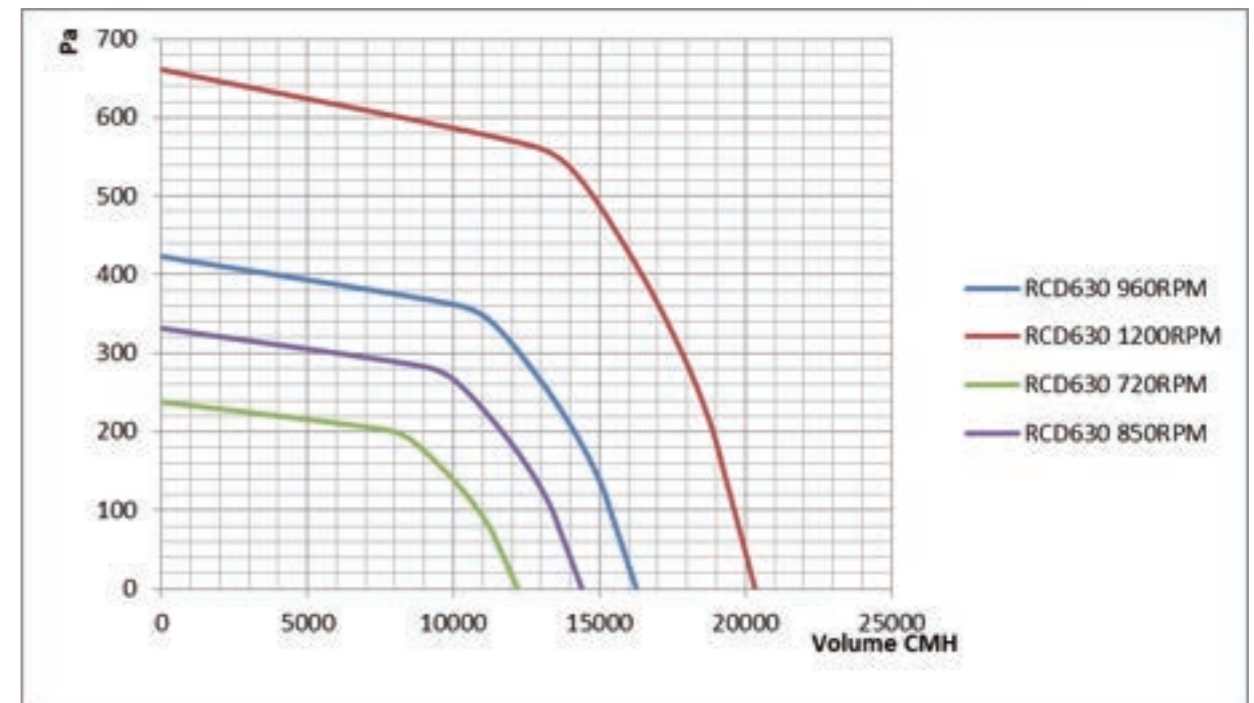
Model	Power	AC Motor 1Ø	AC Motor 3Ø	Fan Speed	Impeller Dia
RCD560	1.5KW	220V/-240V/50Hz	380V or 415V/50Hz	960RPM (Direct Drive)	22inch
	2.2Kw	None	380V or 415V/50Hz	1200RPM (Belt Drive)	



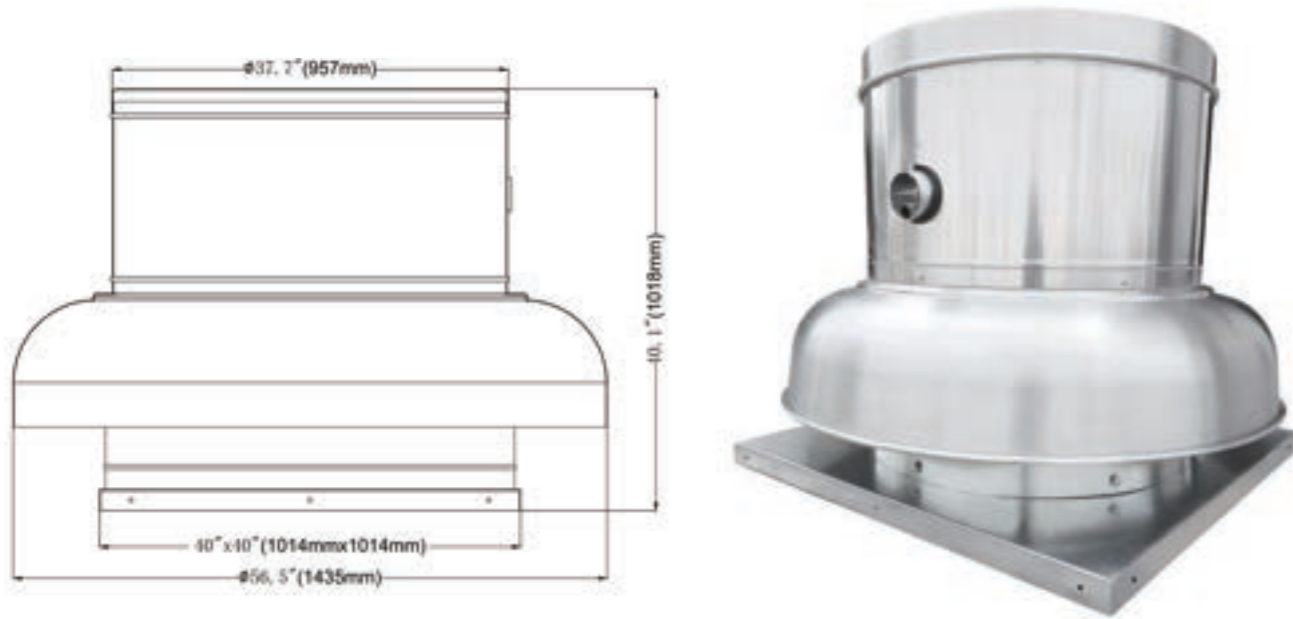
RCD630 Technical Data



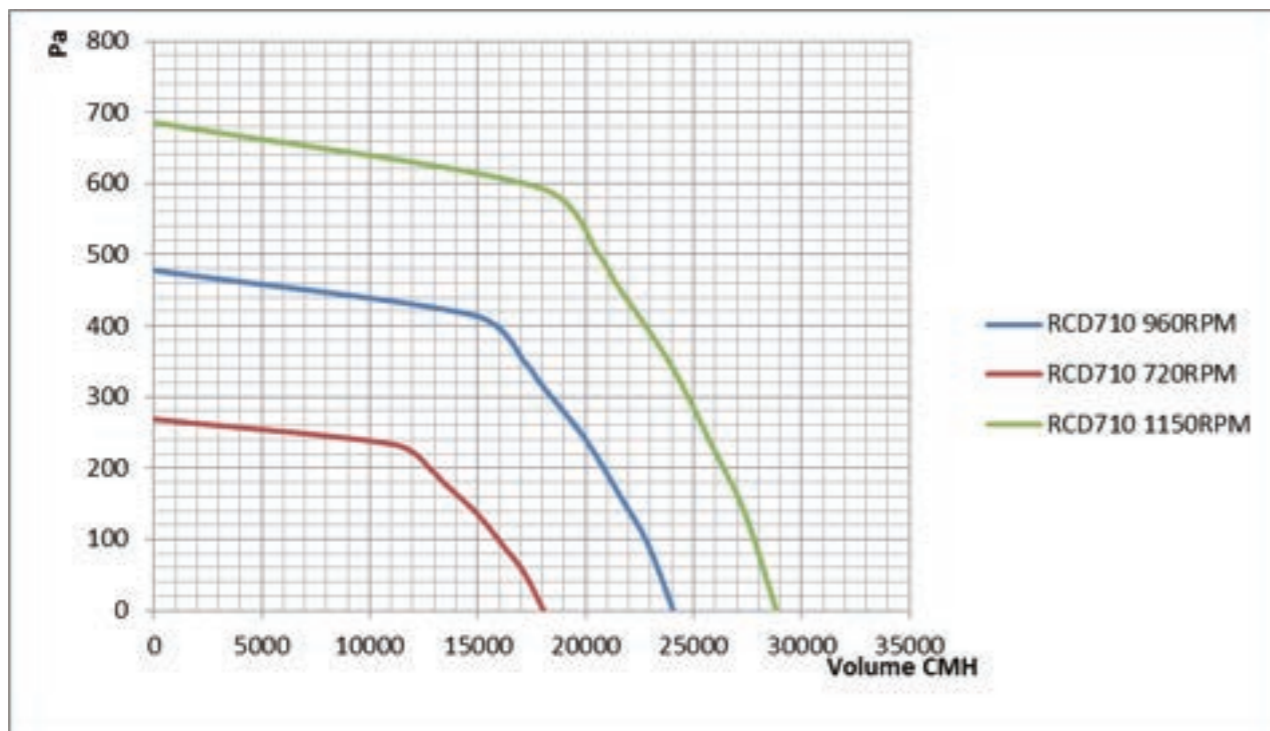
Model	Power	AC Motor 1Ø	AC Motor 3Ø	Fan Speed	Impeller Dia
RCD630	2.2KW	None	380V or 415V/50Hz	960RPM (Direct Drive)	25inch
	1.1Kw	220V/-240V/50Hz	380V or 415V/50Hz	720RPM (Direct Drive)	
	1.5KW	220V/-240V/50Hz	380V or 415V/50Hz	850RPM (Belt Drive)	
	3Kw	None	380V or 415V/50Hz	1200RPM (Belt Drive)	



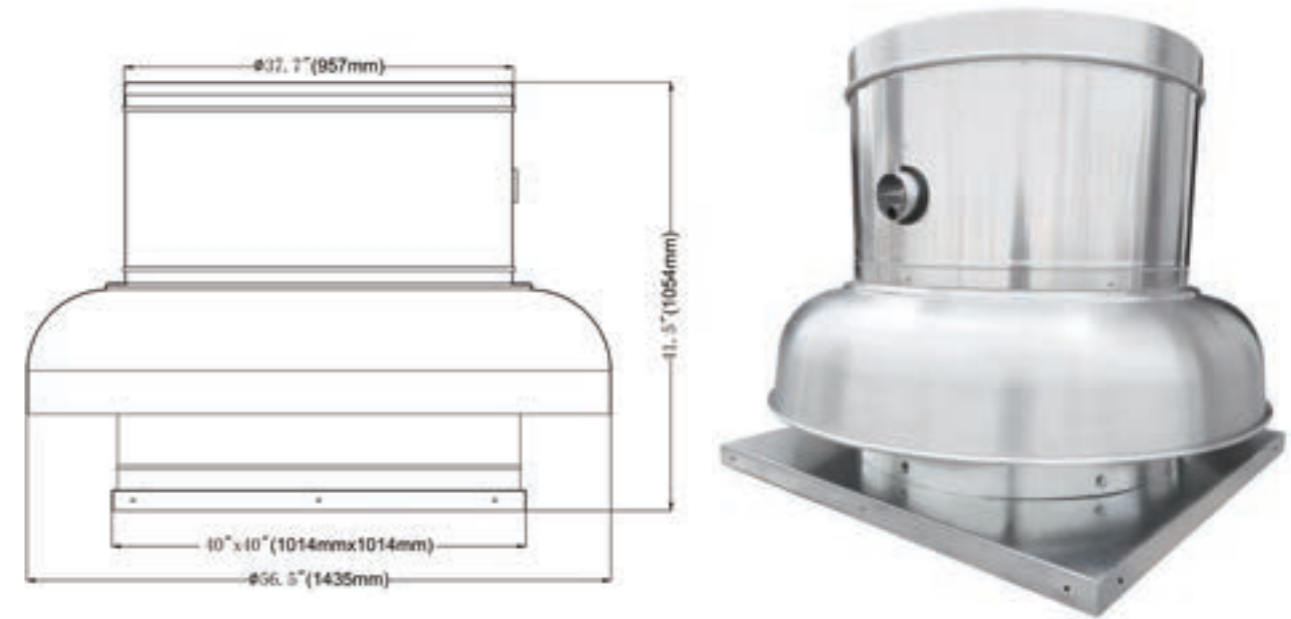
RCD710 Technical Data



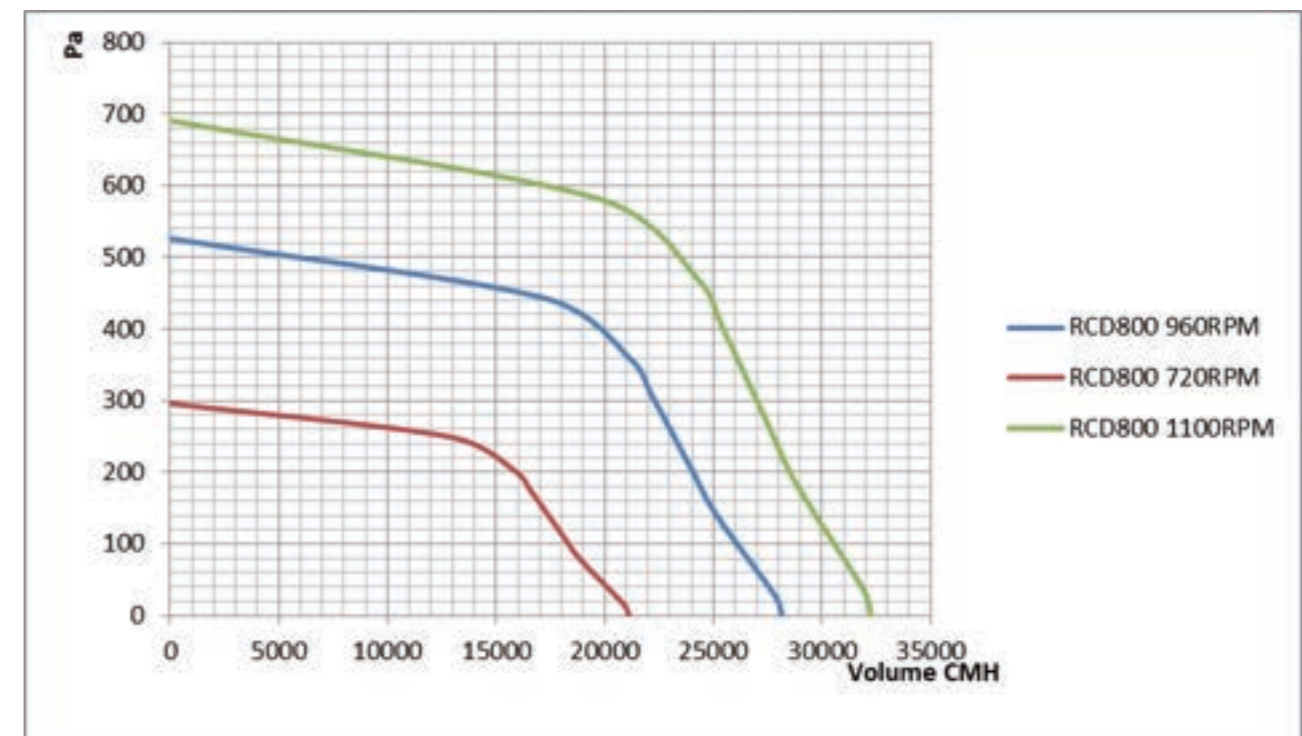
Model	Power	AC Motor 1 ϕ	AC Motor 3 ϕ	Fan Speed	Impeller Dia
RCD710	4KW	None	380V or 415V/50Hz	960RPM (Direct Drive)	28inch
	2.2Kw	None	380V or 415V/50Hz	720RPM (Direct Drive)	
	5.5KW	None	380V or 415V/50Hz	1150RPM (Belt Drive)	



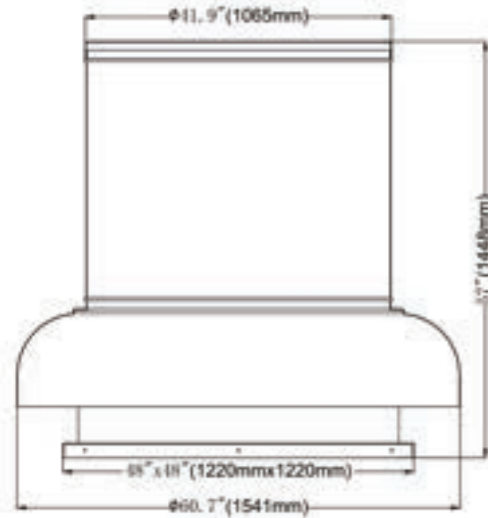
RCD800 Technical Data



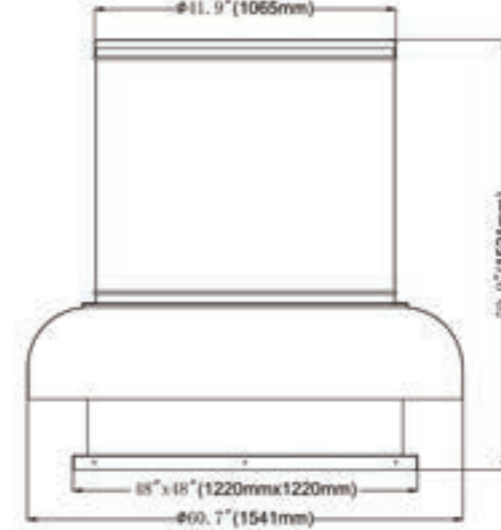
Model	Power	AC Motor 1 ϕ	AC Motor 3 ϕ	Fan Speed	Impeller Dia
RCD800	5.5KW	None	380V or 415V/50Hz	960RPM (Direct Drive)	32inch
	4Kw	None	380V or 415V/50Hz	720RPM (Direct Drive)	
	7.5KW	None	380V or 415V/50Hz	1100RPM (Belt Drive)	



RCD900 Technical Data

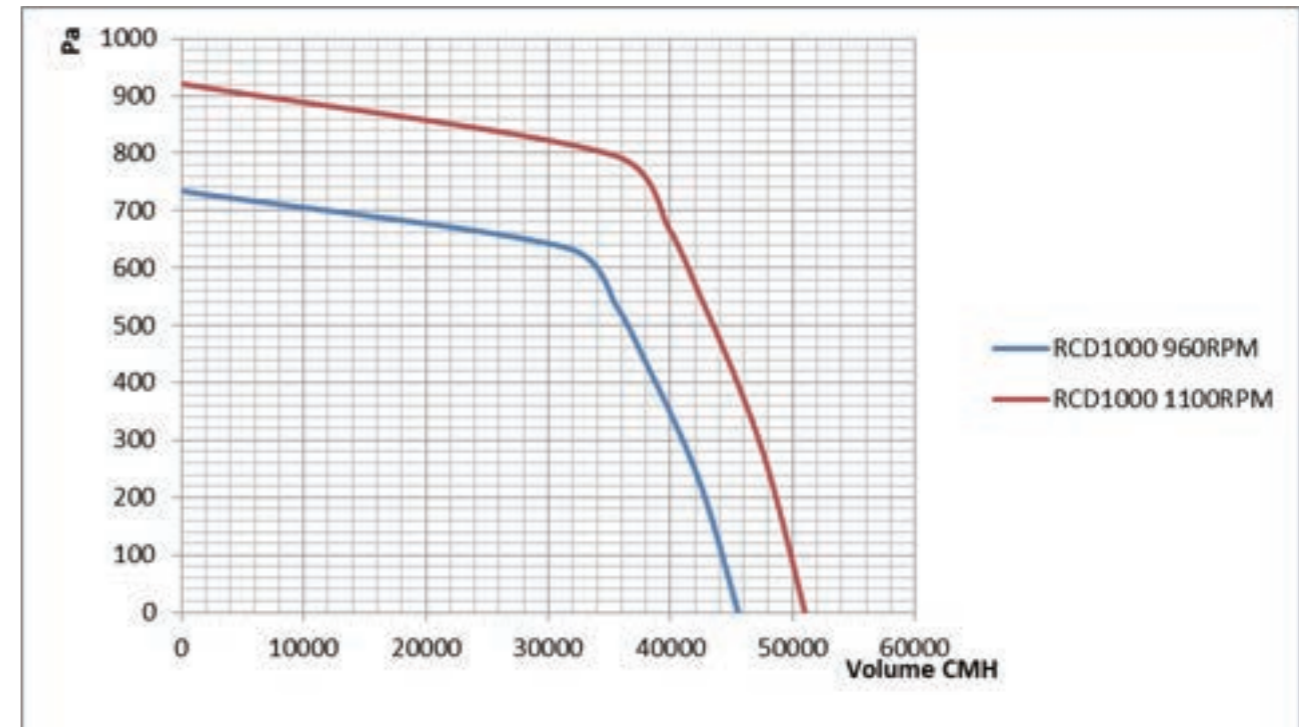
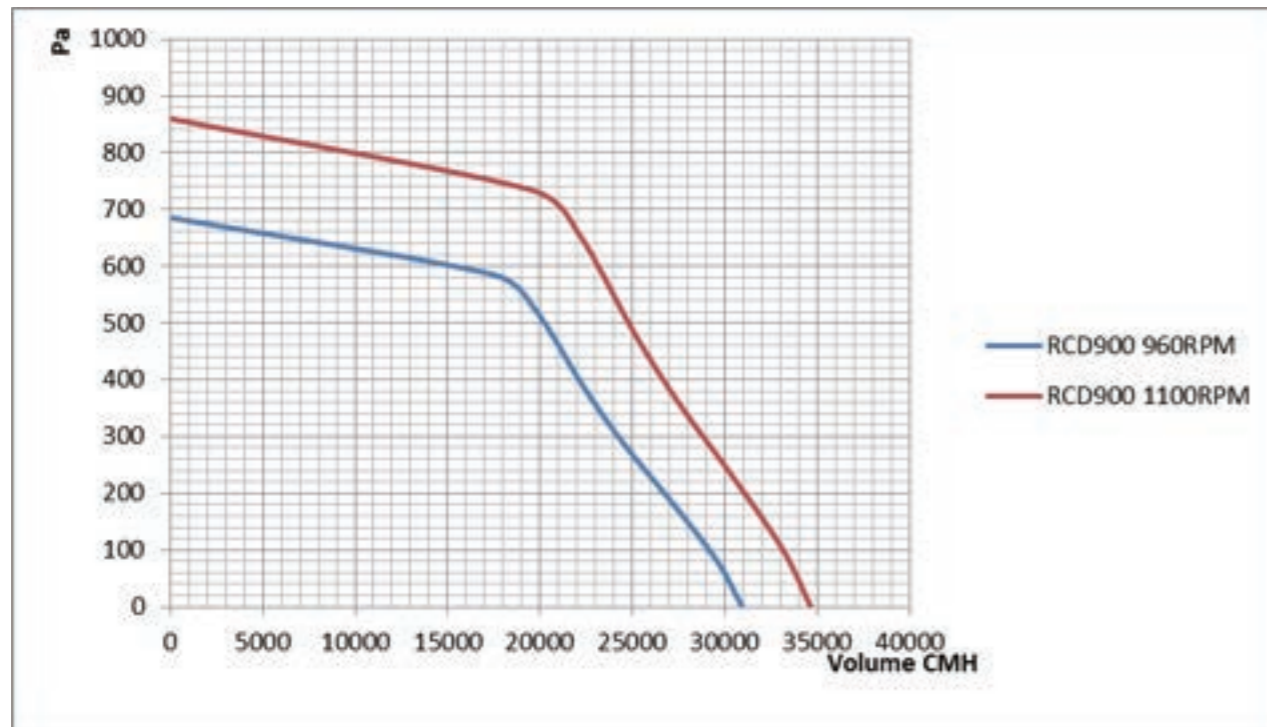


RCD1000 Technical Data



Model	Power	AC Motor 1 ϕ	AC Motor 3 ϕ	Fan Speed	Impeller Dia
RCD900	7.5W	None	380V or 415V/50Hz	960RPM (Direct Drive)	36inch
	7.5Kw		380V or 415V/50Hz		
	11KW	None	380V or 415V/50Hz	1100RPM (Belt Drive)	
	11Kw		380V or 415V/50Hz		

Model	Power	AC Motor 1 ϕ	AC Motor 3 ϕ	Fan Speed	Impeller Dia
RCD1000	11W	None	380V or 415V/50Hz	960RPM (Direct Drive)	40inch
	11Kw		380V or 415V/50Hz		
	15KW	None	380V or 415V/50Hz	1100RPM (Belt Drive)	
	15Kw		380V or 415V/50Hz		



Usage Description

1. The Fan Is Mainly Use In Delivering The Clean Air Without The Place That With Easy Burning Materials, Explosive Materials And Powder
2. If The Fan Is Fed With External Rotor Machine And Sealed Ball Bearing. It Is Free Maintenance.
3. If The Fan Install In The Damping And Sobering Area, Continuous Operation Is Required For The Fan.
4. The Fan Can Be Installed In The Outdoor Or Damp Environment With Drainage System.
5. All The Fans Are Feeding With International Standard Motors, Which Are Single Phase 120V, 60Hz Or 220V, 50Hz And Three Phases 380V, 50Hz
6. Installation Is Available In Any Areas

Installation

1. Must Be Install According To The Air Flow Marking
2. Must Be Connect To The Piping Or Equip With Safety Accessories
3. Must Be Installing In A Proper Way And Make Sure The Outlet Is Without Any Unusual Materials.
4. Try To Installing The Fan As Easy As For The Maintenance Purpose
5. Fan Required Flanges In Order To Avoid The Piping Damage When Vibrated
6. Speed Controller Or Transformer Is Available To Connect To The Fan
7. Wiring Diagram Is In The Package.
8. Wiring Must Be Strictly Following The Wiring Diagram.
9. Electrical Installation Must Be Done By Professional Technicians.
10. Electrical Installation Must Be Connecting In The Special Control Box.

Operation

Before Operation, Please Make Sure

1. The Real Maximum Current Cannot Be Exceed The National Standard Index: +5%.
2. The Voltage Pulsation Is Between +6% -- +10%
3. No Exceptional Noise Produce When Operation.
4. The Rotating Direction For Three Phase Motor Is The Same As The Marking.

Maintenance

1. Before Repair Or Maintenance The Fan, Please Make Sure The Fan Is Stop And The Fan Is Not Working In Overload Condition
2. When Disassemble The Larger Fan, Please Care For The Weight To Avoid Blocking And Scratching
3. Cleaning The Fan Once A Year, So That It Can Keep The Function And Avoid The Unnecessary Damage.
4. Ball Bearing Is Free Maintenance Except For The Necessary Updates.
5. When Cleaning The Fan, Please Do Not Use The High Pressure Washer Or Strong Solvent, And Do Not Take Out The Damaging Impeller
6. Make Sure The Fan Is Operating Without Any Noise

Failure Detection

1. Make Sure The Fan Is In The Load Condition.
2. Verify The Impeller Is Without Block.
3. Please Do Check With The Heat-variable Switch And Motor Protector. If The Switch Is Not In Connected, Please Do Check It. If Its Need To Restart Makes Sure The Power Supply Is Cut Off In A Few Minutes Until The Rated Current Is Not Higher Than 1.6A. If The Motor Has The Heat Protector, It Will Automatically Reset After Cool Down.
4. Make Sure The Capacitor Is Connected According To The Wiring Diagram.
5. Please Change The Capacitor At The First Time When The Fan Is Not Work.
6. Please Contact The Distributor If The Fan Is Still Not Work
7. When Send Back The Fan To The Distributor, Please Clean It And Make Sure The Cables Are

Guarantee

The Guarantee Is Valid Only With The Guideline Of This Manual.

Noise Level Test Method

1m/45° Free Zone, Without Connect The Ducting Noise Data



Capabilities And Services

- | | |
|---|--|
| 1 Fan And Blower Design And Manufacture | 2 Fully Performance Tested Products And Published Data |
| 3 In-house Design Engineering Team | 4 Scale And Capacity To Handle Any Size Project |
| 5 Servicing Overseas Markets With Built Products And OEM Supply | 6 Sales And After Sales Support Teams |



חברת AMS פתרונות הולכת אוויר וסינון אוויר הינה החברה המובילה בישראל היום במתן פתרונות הולכת אוויר וסינון אוויר לשוק התעשייתי והמסחרי
חברתנו מציעה שירותי One Stop Shop בתחום מערכות אוורור וסינון וביניהם

מערכות אוורור תעשייתיות.

מפוחים לפינוי עשן בשעת בחירום בהתאם לת"י 1001 חלק 7
יניקה ופינוי אבק ועשן מתהלכי יצור שונים כגון ריתוך, ליטוש, השחזה, מילוי, ושקילה.
מערכות נידוף למטבחים מוסדיים בהתאם לת"י 1001 חלק 6
יעוץ ואספקה של ציוד יניקה וסינון ללקוחות פרטיים ו/או קבלנים המתקינים עצמאית
ועוד...

והכל למען יצירת מרחב נשימה נקי ממהמים וסביבת עבודה נקיה ובטוחה!

פעילות החברה מבוססת על ידע רב וניסיון עשיר של 20 שנה בתחום סינון האוויר, ליווי ויעוץ לאורך כל הדרך עד למתן הפתרון הטוב ביותר ללקוח בזמן הנדרש ובאיכות ללא פשרות והכל על פי דרישות הרשויות השונות (איכות הסביבה, כיבוי אש) וע"פ התקנים המקובלים בתחום.

AMS מתמחה בייצור ותכנון ייחודי על פי צרכי הלקוח, ומתאימה לו את הפתרון המדויק. החל משלב הביקור באתר, איסוף נתונים, תכנון המערכת וכלה בשילוב שימוש בציוד המתקדם ביותר כמו יחידות ומתקני שאיבה וסינון ייחודים לחברה, מערכות לתעשיית העיבוד השבבי, שילוב אמצעי יניקה כמו זרועות יניקה פריקות, כונסים, מנדפי יניקה, מנדפי סדק, שולחנות יניקה ועוד.

בין לקוחותינו: כיל, סודה-סטרים, תנובה, רפאל, מנועי בית שמש ועוד רבים נוספים.

לפרטים נוספים צרו קשר ויחד נמצא את הפתרון הנכון בשבילכם!

נציגנו זמינים לכל שאלה או בקשה בטלפון או בדוא"ל

נייח: 073-787-0729

נייד: 052-691-5111

סניף צפון – 052-6915111, קיבוץ כפר בלום, 1215000

סניף מרכז/דרום – 073-7870729, ערוגות 27, ניצני עוז

דוא"ל: Info@airms.co.il