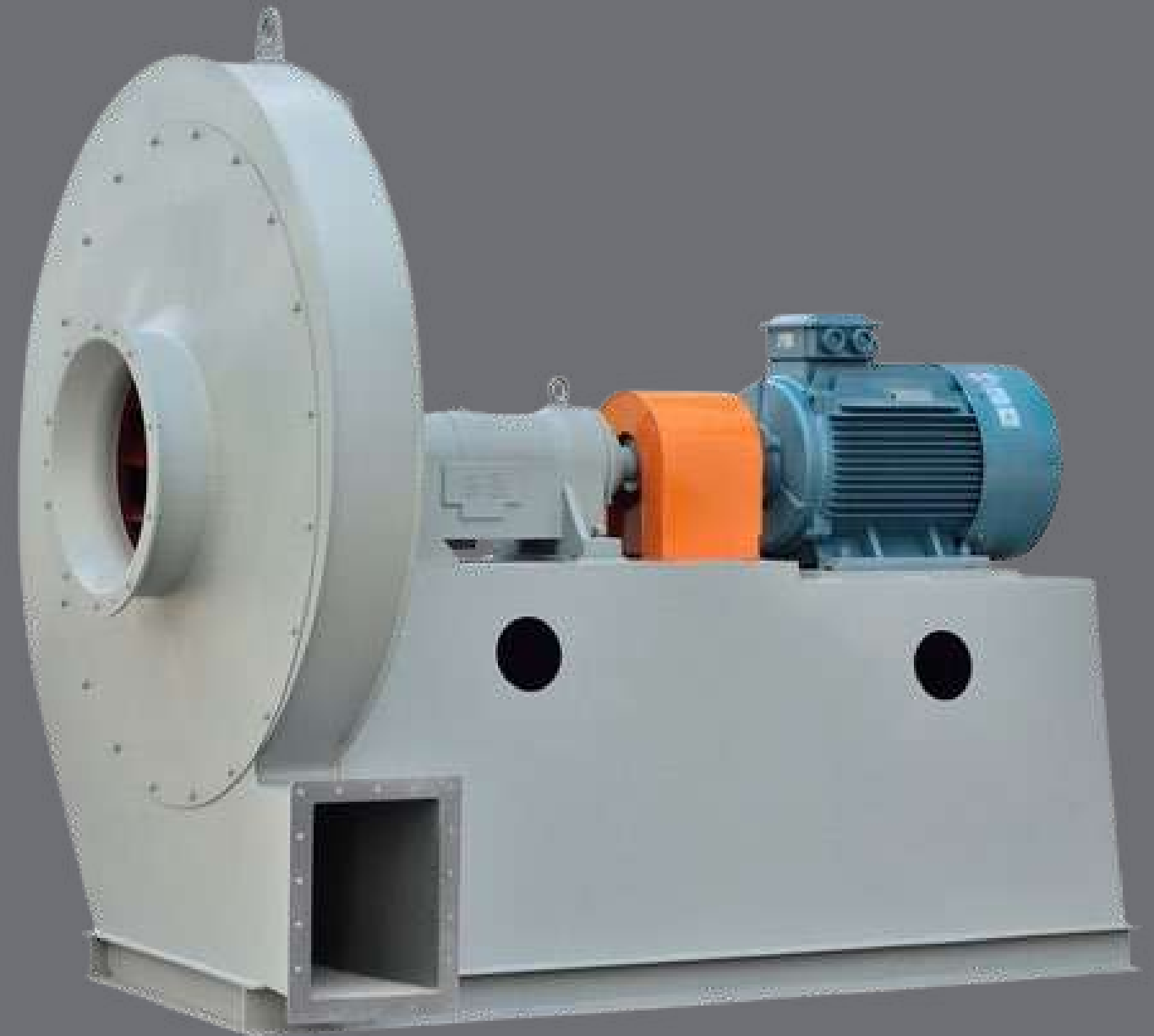




HCR 9-19&9-26
ARR-8



> 9-19/ 9-26 Series Hi-Press Centrifugal Fan



9-19



9-26

> Product Features

- 9-19.9-26 series fans, all of which belong to low-flow, high-pressure industrial centrifugal fans, using single-suction forward-leaning single plate impeller. At present, the 9-19 series produced by our company has a total of 11 machine numbers No3.5~ 11.2; The 9-26 series has a total of 10 machine numbers No3.5 ~ 10. Among them, the machine number No.3.5~ 6.3 adopts A type transmission; No. 7.1 and above adopts D type drive.

> Purpose and conditions of use

- 1. Place of use: 9-19. 9-26 series high pressure fan, - generally used for forging furnace , spraying, electroplating, radio, battery, glass manufacturing and other industries of high pressure forced ventilation, can also be widely used for conveying materials, conveying gas.
- 2. Conveying medium requirements: the conveying medium should be non-corrosive, non-flammable and explosive, without viscous substances, and the dust and hard particles contained in the medium should not exceed 150mg/m³.
- 3. Medium temperature: - generally not more than 50 (maximum not more than 80).

> Notes

- In the case that the resistance of the pipeline system cannot be estimated accurately, sufficient motor power allowance should be reserved during the selection, or the regulating damper should be installed in the system, otherwise the motor may be overloaded during use.

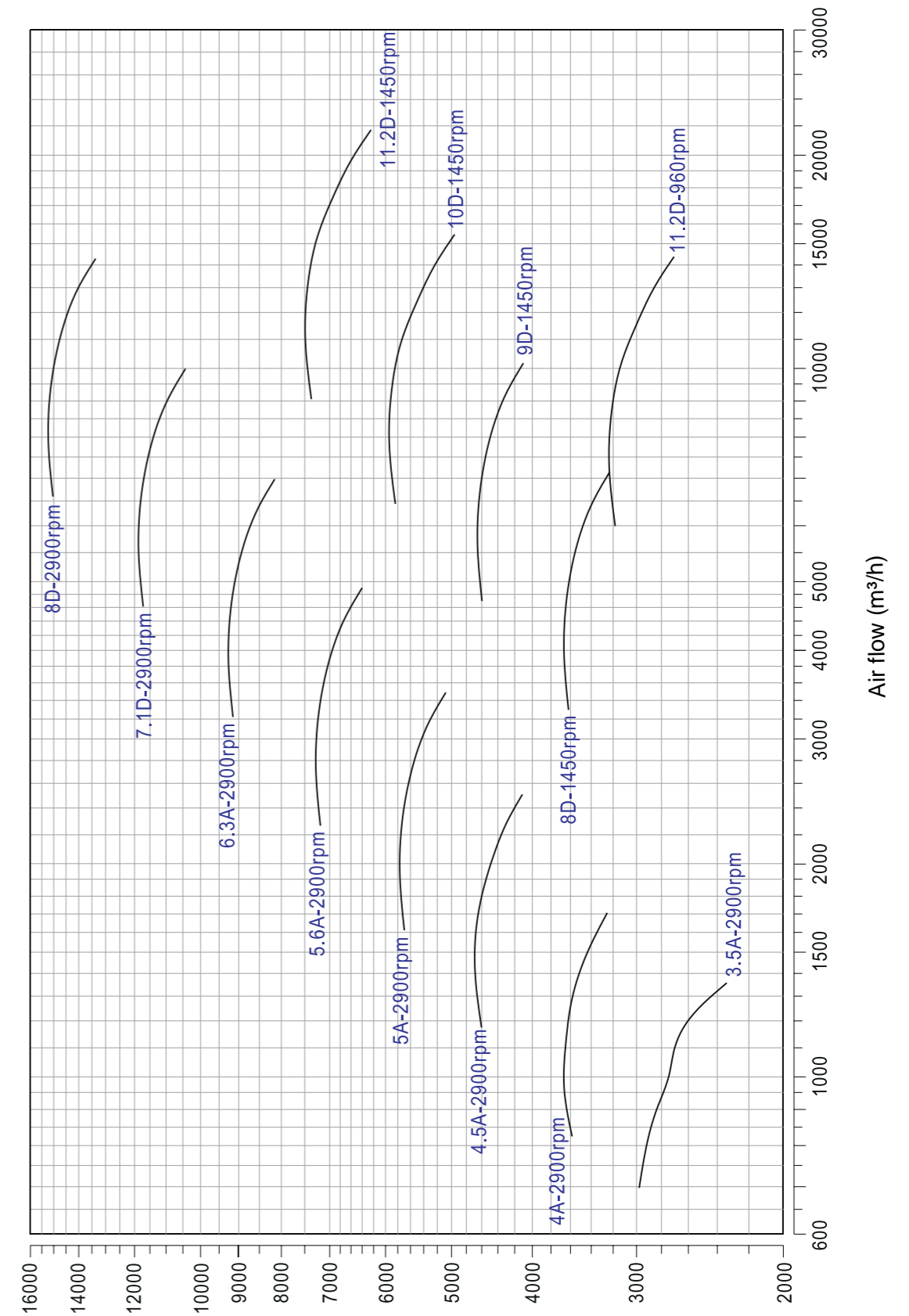
> 9-19 Performance chart (I)

Model	Speed (r/min)	No.	Air flow (m ³ /h)	T. press. (Pa)	S. press. (Pa)	Pt. efficiency (%)	Shalf power (kW)	Motor		Weight (kg)
								model	power	
3.5A	2900	1	697	2978	2701	70	0.82	Y90L-2	2.2kW	50
		2	904	2833	2368	73.5	0.97			
		3	1002	2744	2172	75.5	1.01			
		4	1093	2703	2023	76	1.08			
		5	1178	2630	1840	75.5	1.14			
		6	1264	2503	1593	73.5	1.20			
		7	1357	2338	1289	70	1.26			
4A	2900	1	824	3584	3357	70	1.17	Y90L-2	2.2kW	66
		2	970	3665	3351	73.5	1.34			
		3	1116	3647	3231	75.5	1.50			
		4	1264	3597	3064	76	1.66			
		5	1410	3507	2843	75.5	1.82	Y100L-2	3kW	70
		6	1558	3384	2574	73.5	1.99			
		7	1704	3253	2284	70	2.20			
4.5A	2900	1	1174	4603	4316	71.2	2.11	Y112M-2	4kW	91
		2	1397	4684	4277	75	2.42			
		3	1616	4672	4128	77	2.72			
		4	1839	4580	3875	77.3	3.03			
		5	2062	4447	3561	76.2	3.34			
		6	2281	4297	3213	73.8	3.69	Y132S ₁ -2	5.5kW	112
		7	2504	4112	2805	70	4.09			
5A	2900	1	1610	5697	5343	72.7	3.50	Y132S ₂ -2	7.5kW	127
		2	1932	5768	5258	76.2	4.06			
		3	2254	5740	5045	78.2	4.60			
		4	2576	5639	4732	78.5	5.14			
		5	2844	5517	4411	77.2	5.65	Y160M ₁ -2	11kW	170
		6	3166	5323	3952	74.5	6.28			
		7	3488	5080	3416	70.5	6.98			
5.6A	2900	1	2262	7182	6732	72.7	6.18	Y160M ₂ -2	11kW	188
		2	2714	7273	6627	76.2	7.16			
		3	3167	7236	6361	78.2	8.10			
		4	3619	7109	5967	78.5	9.06	Y160L-2	18.5kW	217
		5	3996	6954	5562	77.2	9.95			
		6	4448	6709	4985	74.5	11.07			
		7	4901	6400	4310	70.5	12.30			
6.3A	2900	1	3220	9149	8571	72.7	11.13	Y160L-2	18.5kW	260
		2	3865	9265	8441	76.2	12.90			
		3	4509	9219	8105	78.2	14.60			
		4	5153	9055	7604	78.5	16.32			
		5	5690	8857	7090	77.2	17.93			
		6	6334	8543	6355	74.5	19.96	Y200L ₁ -2	30kW	355
		7	6978	8148	5494	70.5	22.17			

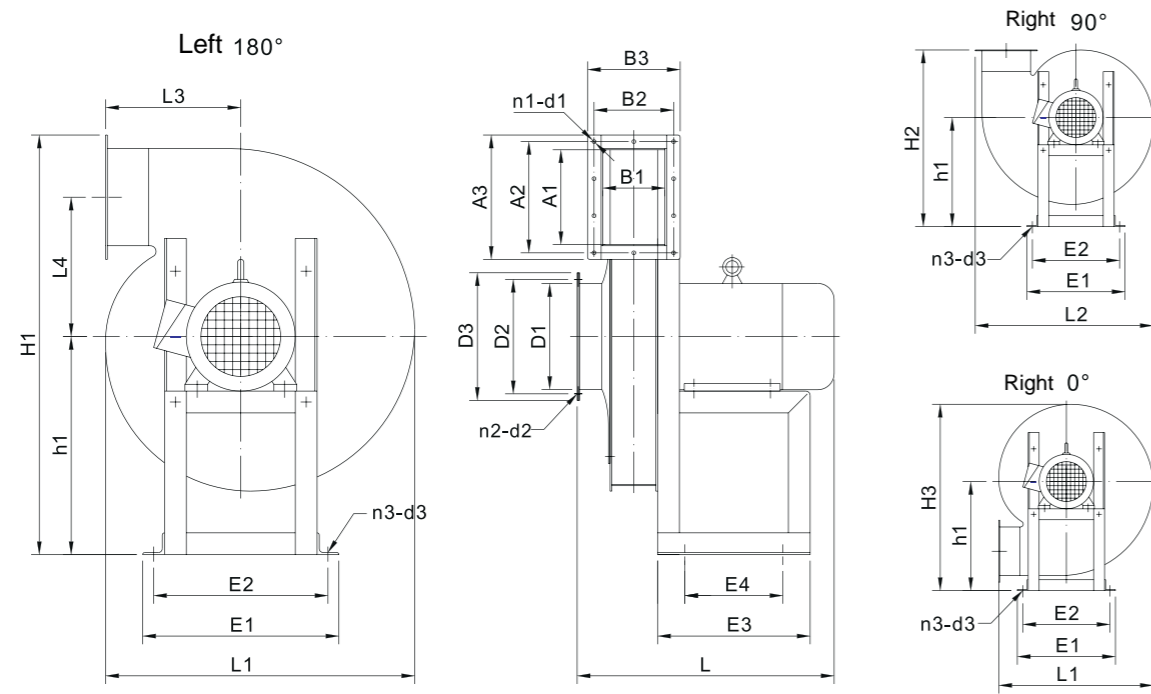
> 9-19 Performance chart (II)

Model	Speed (r/min)	No.	Air flow (m³/h)	T. press. (Pa)	S. press. (Pa)	Pt. efficiency (%)	Shaft power (kW)	Motor		Weight (kg)	
								model	power		
7.1D	2900	1	4610	11717	10970	72.7	20.31	Y200L-2	37kW	714	
		2	5532	11868	10810	76.2	23.52				
		3	6454	11807	10384	78.2	26.61				
		4	7376	11596	9744	78.5	29.77				
		5	8144	11340	9087	77.2	32.71	Y250M-2	55kW	858	
		6	9066	10935	8146	74.5	36.44				
		7	9988	10426	7044	70.5	40.54				
8D	2900	1	6594	15034	14196	72.7	36.88	Y280S-2	75kW	1340	
		2	7913	15229	14059	76.2	42.72				
		3	9232	15151	13586	78.2	48.32				
		4	10550	14877	12841	78.5	54.06				
		5	11649	14546	12063	77.2	59.41				
		6	12968	14021	10935	74.5	66.19				
		7	14287	13362	9600	70.5	73.63				
	1450	1	3297	3620	3409	3409	72.7	4.61	Y132M-4	7.5kW	524
		2	3957	3665	3358	3358	76.2	5.34			
		3	4616	3647	3228	3228	78.2	6.04			
		4	5275	3584	3034	3034	78.5	6.76			
		5	5825	3507	2835	2835	77.2	7.43			
		6	6484	3384	2551	2551	74.5	8.27			
		7	7144	3231	2218	2218	70.5	9.20			
9D	1450	1	4695	4597	4313	4313	72.7	8.31	Y160L-4	15kW	645
		2	5633	4655	4243	4243	76.2	9.62			
		3	6572	4632	4071	4071	78.2	10.89			
		4	7511	4551	3818	3818	78.5	12.18			
		5	8294	4453	3558	3558	77.2	13.38			
		6	9233	4297	3189	3189	74.5	14.91			
		7	10171	4101	2756	2756	70.5	16.59			
10D	1450	1	6440	5840	5489	5489	76.5	13.67	Y200L-4	30kW	1134
		2	7942	5941	5406	5406	80	16.39			
		3	9445	5891	5132	5132	81.5	18.97			
		4	10947	5740	4719	4719	81	21.57			
		5	12450	5495	4174	4174	78.2	24.35			
		6	13952	5244	3584	3584	74.5	27.36			
		7	15455	4958	2919	2919	70	30.52			
11.2D	1450	1	9047	7364	6923	6923	76.5	24.08	Y225M-4	45kW	868
		2	11158	7491	6820	6820	80	28.88			
		3	13269	7428	6476	6476	81.5	33.44			
		4	15380	7236	5955	5955	81	38.01			
		5	17491	6927	5269	5269	78.2	42.91			
		6	19602	6609	4526	4526	74.5	48.21			
		7	21713	6246	3689	3689	70	53.78			
	960	1	5990	3182	2989	2989	76.5	6.99	Y180L-6	15kW	715
		2	7388	3237	2942	2942	80	8.38			
		3	8785	3210	2792	2792	81.5	9.70			
		4	10182	3128	2566	2566	81	11.03			
		5	11580	2996	2269	2269	78.2	12.45			
		6	12978	2860	1947	1947	74.5	13.99			
		7	14375	2705	1584	1584	70	15.61			
								Y200L-6	22kW	780	

> 9-19 Performance curve



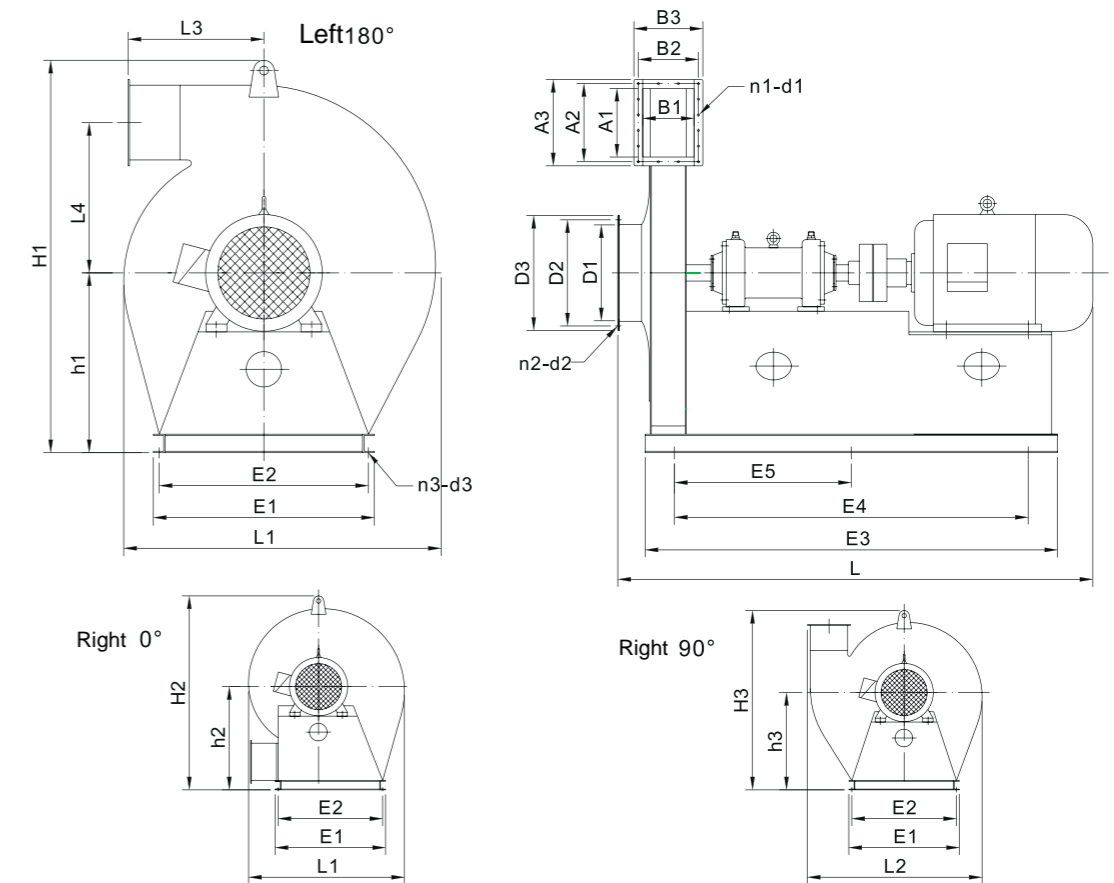
> 9-19 Type A Overall Dimension



Model	Outlet							Inlet			
	A1	A2	A3	B1	B2	B3	n1-d1	D1	D2	D3	n2-d2
3.5A	113	77X2=154	180	82	57.5X2=115	140	8-Φ7	Φ180	Φ210	Φ234	4-Φ7
4A	128	40X4=160	182	92	42X3=126	148	14-Φ7	Φ180	Φ210	Φ234	4-Φ7
4.5A	144	44X4=176	198	104	45X3=135	160	14-Φ7	Φ200	Φ230	Φ253	4-Φ7
5A	160	48X4=192	214	115	50X3=150	171	14-Φ7	Φ224	Φ260	Φ285	4-Φ7
5.6A	179	53X4=212	233	129	54X3=162	185	14-Φ7	Φ250	Φ285	Φ312	8-Φ10
6.3A	203	59X4=236	258	146	60X3=180	204	14-Φ7	Φ280	Φ330	Φ360	8-Φ10

Model	Motor	Dimension													
		L	L1	L2	L3	L4	H1	H2	H3	h1	E1	E2	E3	E4	n3-d3
3.5A	2.2kW-2	435	522	615	230	250	696	586	630	356	260	220	220	160	4-Φ10
4A	2.2kW-2	435	584	669	262	286	807	692	722	430	385	350	300	200	4-Φ15
	3kW-2	475													
4.5A	4kW-2	495	657	749	295	322	871	745	778	450	440	390	300	200	4-Φ15
	5.5kW-2	570													
5A	7.5kW-2	580	730	829	328	358	993	856	892	528	495	450	440	340	4-Φ15
	11kW-2	690													
5.6A	11kW-2	705	817	925	367	401	1068	917	958	550	525	480	450	350	4-Φ15
	18.5kW-2	760													
6.3A	18.5kW-2	785	921	1040	413	451	1240	1073	1121	660	626	570	570	450	4-Φ20
	30kW-2	890													

> 9-19 Type D Overall Dimension



Model	Outlet							Inlet			
	A1	A2	A3	B1	B2	B3	n1-d1	D1	D2	D3	n2-d2
7.1D	227	53X5=265	293	166	68X3=204	234	16-Φ10	Φ312	Φ360	Φ390	8-Φ10
8D	262	60X5=300	342	189	79X3=237	277	16-Φ10	Φ353	Φ400	Φ430	8-Φ10
9D	288	67X5=335	376	208	64X4=256	298	18-Φ10	Φ390	Φ440	Φ480	8-Φ12
10D	320	73X5=365	408	222	68X4=272	212	18-Φ10	Φ436	Φ500	Φ550	8-Φ12
11.2D	359	81X5=405	447	262	73X4=312	352	18-Φ10	Φ502	Φ558	Φ608	10-Φ12

Model	Motor	Dimension																
		L	L1	L2	L3	L4	H1	H2	H3	h1	h2	h3	E1	E2	E3	E4	E5	n3-d3
7.1D	37kW-2	1663	1044	1186	466	510	1360	1340	1255	630	720	680	750	710	1570	1370	685	6-Φ18
	55kW-2	1800																
8D	75kW-2	2300	1180	1330	530	569	1503	1503	1387	710	810	770	900	860	2200	2000	1000	6-Φ18
	110kW-2	2458																
	7.5kW-4	1515																
	15kW-4	1545																
9D	15kW-4	1566	1324	1490	585	640	1640	1605	1515	760	880	830	800	760	1440	1240	620	6-Φ18
	22kW-4	1634																
10D	30kW-4	2100	1469	1650	653	710.5	1825	1890	1680	855	985	935	900	860	1920	1720	860	6-Φ18
	37kW-4	2145																
11.2D	45kW-4	2250	1641	1842	735	796.5	2020	1990	1860	940	1090	1030	1000	960	2100	1900	950	6-Φ18
	75kW-4	2307																
	15kW-6	2076											900	860	1900	1700	850	
	22kW-6	2142																

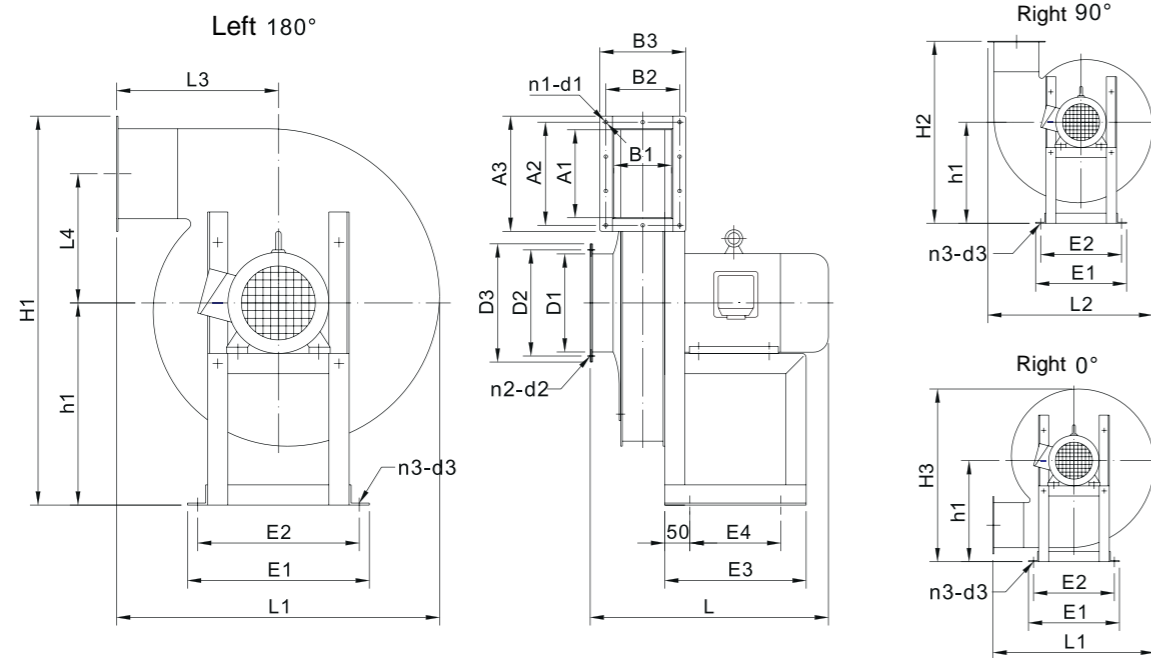
> 9-26 Performance chart (I)

Model	Speed (r/min)	No.	Air flow (m³/h)	T. press. (Pa)	S. press. (Pa)	Pt. efficiency (%)	Shaft power (kW)	Motor		Weight (kg)
								model	power	
3.5A	2900	1	1472	2949	2678	74.7	1.61	Y90L-2	2.2kW	60
		2	1586	2925	2610	75.5	1.71			
		3	1699	2883	2521	75.7	1.80			
		4	1813	2821	2409	75	1.89			
		5	1927	2762	2297	73.8	2.00	Y100L-2	3kW	
		6	2039	2681	2161	72.1	2.11			
		7	2154	2608	2028	70	2.23			
4A	2900	1	2198	3852	3498	74.7	3.15	Y132S ₁ -2	5.5kW	125
		2	2368	3820	3409	75.5	3.33			
		3	2536	3765	3293	75.7	3.50			
		4	2706	3684	3147	75	3.69			
		5	2877	3607	3000	73.8	3.91			
		6	3044	3502	2822	72.1	4.11			
		7	3215	3407	2649	70	4.35			
4.5A	2900	1	3130	4910	4461	76.1	5.61	Y132S ₂ -2	7.5kW	146
		2	3407	4863	4331	77.1	5.97			
		3	3685	4776	4154	77.1	6.34			
		4	3963	4661	3942	76	6.75	Y160M ₁ -2	11kW	
		5	4237	4545	3723	74.5	7.18			
		6	4515	4412	3478	72.3	7.65			
		7	4792	4256	3204	70	8.09			
5A	2900	1	4293	6035	5481	77.2	9.15	Y160M ₂ -2	15kW	219
		2	4706	5984	5319	78.2	9.82			
		3	5114	5869	5083	78	10.50			
		4	5527	5725	4807	76.7	11.26			
		5	5941	5553	4492	74.9	12.04			
		6	6349	5381	4170	72.7	12.85			
		7	6762	5180	3806	70	13.70	Y160L-2	18.5kW	
5.6A	2900	1	6032	7610	6911	77.2	16.13	Y180M-2	22kW	320
		2	6612	7546	6707	78.2	17.31			
		3	7185	7400	6410	78	18.51			
		4	7766	7218	6062	76.7	19.85	Y200L ₁ -2	30kW	
		5	8346	7000	5664	74.9	21.21			
		6	8919	6781	5258	72.7	22.65			
		7	9500	6527	4799	70	24.14			
6.3A	2900	1	8588	9698	8806	77.2	29.07	Y225M-2	45kW	497
		2	9415	9616	8548	78.2	31.20			
		3	10230	9429	8169	78	33.35			
		4	11056	9195	7725	76.7	35.77			
		5	11883	8915	7218	74.9	38.22			
		6	12699	8636	6700	72.7	40.81			
		7	13525	8310	6115	70	43.50	Y250M-2	55kW	

> 9-26 Performance chart (II)

Model	Speed (r/min)	No.	Air flow (m³/h)	T. press. (Pa)	S. press. (Pa)	Pt. efficiency (%)	Shaft power (kW)	Motor		Weight (kg)	
								model	power		
7.1D	2900	1	12292	12427	11283	77.2	53.93	Y280S-2	75kW	1309	
		2	13475	12321	10954	78.2	57.87				
		3	14643	12078	10470	78	61.87				
		4	15826	11776	9899	76.7	66.36	Y315S-2	110kW		
		5	17009	11415	9250	74.9	70.90				
		6	18177	11055	8584	72.7	75.71				
		7	19360	10635	7835	70	80.70				
8D	2900	1	17584	15955	14487	77.2	97.95	Y315M-2	132kW	1852	
		2	19277	15818	14067	78.2	105.11				
		3	20947	15504	13445	78	112.36				
		4	22640	15112	12712	76.7	120.53	Y315L ₂ -2	200kW		
		5	24332	14644	11877	74.9	128.77				
		6	26003	14177	11021	72.7	137.51				
		7	27696	13634	10058	70	146.56				
	1450	1450	1	8792	3834	3483	77.2	12.24	Y180M-4		18.5kW
			2	9639	3802	3379	78.2	13.14			
			3	10473	3729	3229	78	14.04			
			4	11320	3638	3054	76.7	15.07			
			5	12166	3529	2854	74.9	16.10			
			6	13001	3421	2649	72.7	17.19			
			7	13848	3294	2418	70	18.32			
9D	1450	1	12518	4869	4423	77.2	22.06	Y200L-4	30kW	1158	
		2	13723	4828	4291	78.2	23.68				
		3	14913	4736	4101	78	25.31				
		4	16118	4620	3878	76.7	27.15	Y225M-4	45kW		
		5	17322	4481	3625	74.9	29.01				
		6	18512	4343	3364	72.7	30.97				
		7	19717	4181	3071	70	33.01				
10D	1450	1	17172	6143	4945	80.4	32.70	Y250M-4	55kW	1499	
		2	19319	6056	5359	81.2	40.00				
		3	21465	5920	5057	80.4	43.90				
		4	23612	5761	4717	78.6	48.10	Y280S-4	75kW		
		5	25758	5560	4317	76	52.40				
		6	27905	5309	3849	73	56.50				
		7	30052	5065	3372	70	60.60				

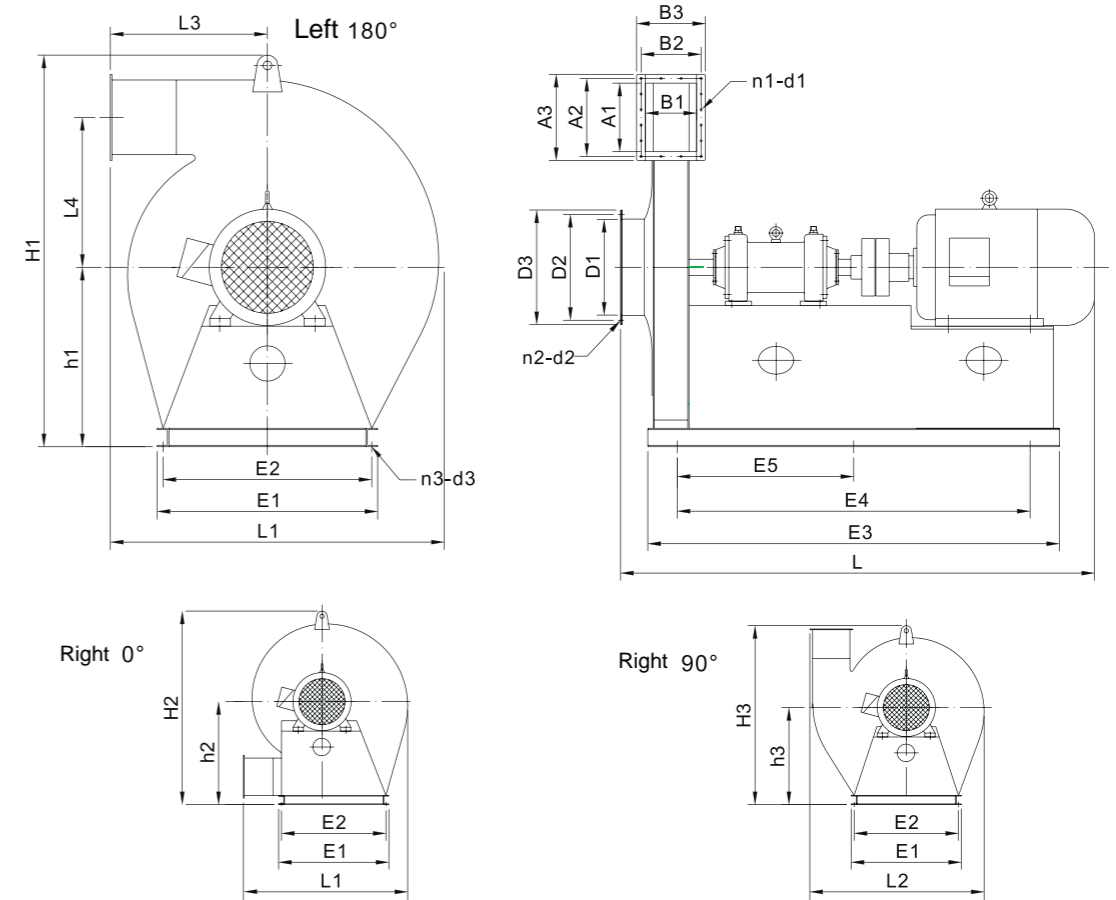
> 9-26 Type A Overall Dimension



Model	Outlet							Inlet			
	A1	A2	A3	B1	B2	B3	n1-d1	D1	D2	D3	n2-d2
3.5A	174	68X3=204	228	100	73X2=146	170	10-Φ7	Φ200	Φ230	Φ254	4-Φ7
4A	196	57X4=228	250	128	53X3=159	184	14-Φ7	Φ224	Φ260	Φ285	4-Φ7
4.5A	221	62X4=248	275	144	58X3=174	200	14-Φ7	Φ250	Φ285	Φ312	8-Φ10
5A	245	68X4=272	299	160	64X3=192	216	14-Φ7	Φ280	Φ330	Φ360	8-Φ10
5.6A	274	61X5=305	330	179	53X4=212	237	18-Φ7	Φ312	Φ360	Φ390	8-Φ10
6.3A	309	68X5=340	365	202	58.5X4=234	260	18-Φ7	Φ353	Φ400	Φ430	8-Φ10

Model	Motor	Dimension													
		L	L1	L2	L3	L4	H1	H2	H3	h1	E1	E2	E3	E4	n3-d3
3.5A	2.2kW-2	440													
	3kW-2	475	640	653	320	255	769	720	684	400	360	320	280	180	4-Φ10
4A	5.5kW-2	585	717	729	360	287	862	810	767	450	460	410	350	250	4-Φ15
4.5A	7.5kW-2	610													
	11kW-2	695	805	815	405	323	961	905	855	500	530	480	400	300	4-Φ15
5A	15kW-2	743													
	18.5kW-2	760	892	899	450	358	1058	1000	942	550	520	470	450	350	4-Φ15
5.6A	22kW-2	810													
	30kW-2	915	999	1005	504	401	1178	1114	1049	610	649	586	570	470	4-Φ15
6.3A	45kW-2	980													
	55kW-2	1065	1123	1126	567	451	1314	1247	1173	680	700	650	650	550	4-Φ20

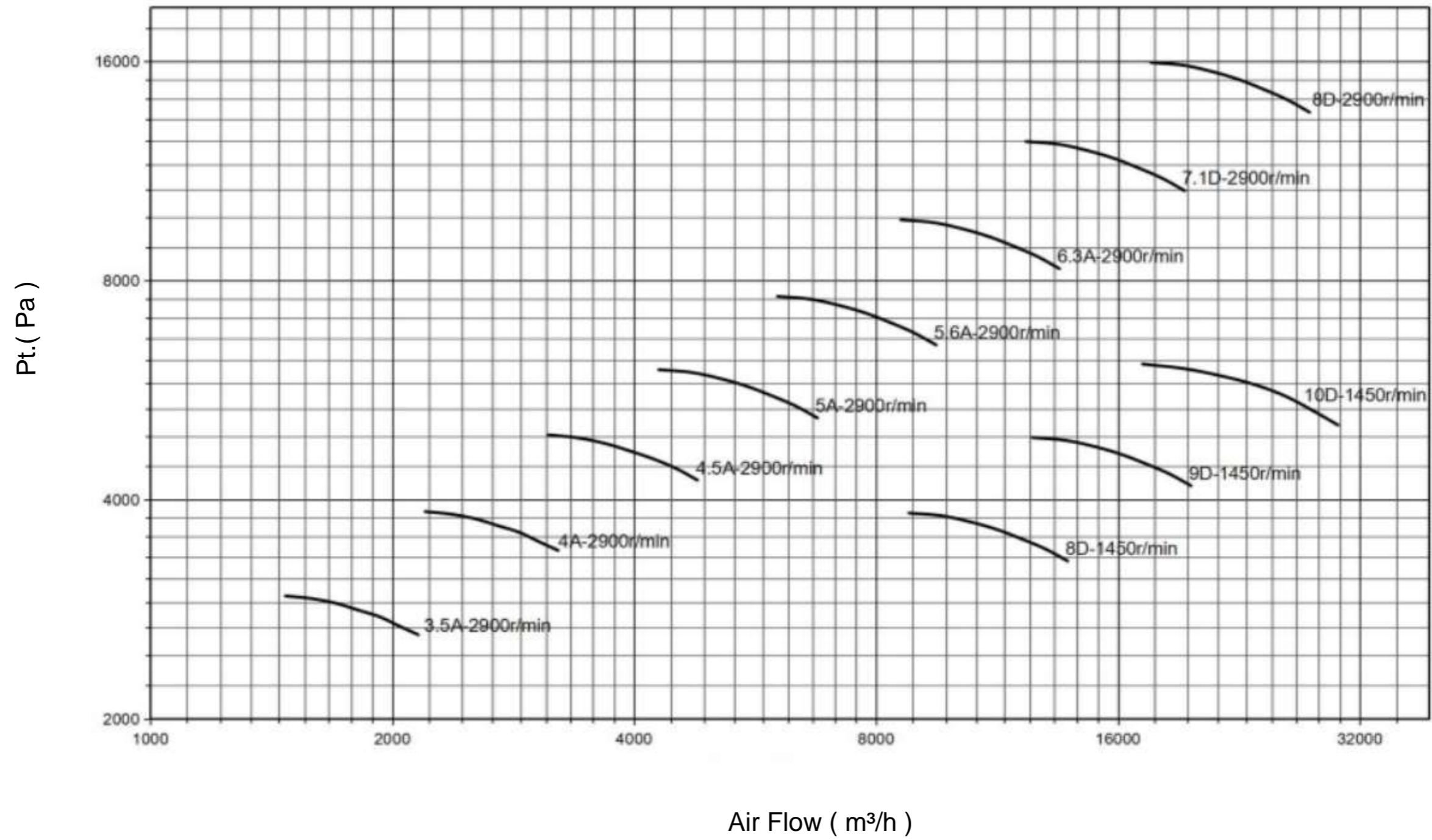
> 9-26 Type D Overall Dimension



Model	Outlet							Inlet			
	A1	A2	A3	B1	B2	B3	n1-d1	D1	D2	D3	n2-d2
7.1D	348	65X6=390	414	226	68X4=272	296	20-Φ10	Φ390	Φ440	Φ480	8-Φ12
8D	392	72X6=432	462	255	75X4=300	325	20-Φ10	Φ436	Φ500	Φ550	8-Φ12
9D	441	81X6=486	528	288	85X4=340	380	20-Φ10	Φ502	Φ558	Φ608	10-Φ12
10D	490	89X6=534	576	326	94X4=376	416	20-Φ10	Φ560	Φ620	Φ680	10-Φ12

Model	Motor	Dimension																
		L	L1	L2	L3	L4	H1	H2	H3	h1	h2	h3	E1	E2	E3	E4	E5	n3-d3
7.1D	75kW-2	2321																
	110kW-2	2498	1251	1243	639	495	1420	1420	1354	645	785	705	840	800	2200	2000	1000	6-Φ18
8D	132kW-2	2576																
	200kW-2	2596																
	18.5kW-4	1685	1409	1398	720	560	1590	1590	1530	730	870	800	900	860	2250	2050	1025	6-Φ18
	30kW-4	1738					1570	1570	1510	710	850	780	740	700	1500	1300	650	
9D	30kW-4	2147																
	45kW-4	2217	1585	1581	810	631	1730	1710	1675	775	945	865	900	860	2000	1800	900	6-Φ18
10D	55kW-4	2350																
	75kW-4	2417	1774	1778	900	716	1950	1940	1884	884	1074	984	1000	960	2150	1950	975	6-Φ18

> 9-26 Performance curve



אנו זמינים לכל שאלה או בקשה

בטלפון או בדוא"ל:

סניף צפון - 052-6915111,

קיבוץ כפר בלום 1215000

סניף מרכז/דרום - 07-37870729

ניצני עוז 27, ערוגות

דוא"ל INFO@AIRMS.CO.IL

אתר www.airms.co.il

